

# INTRINSICALLY SAFE THERMAL DETECTOR

## AE/IS-DTVH

### Description

Thermal Detector 60°C IS Certificate.

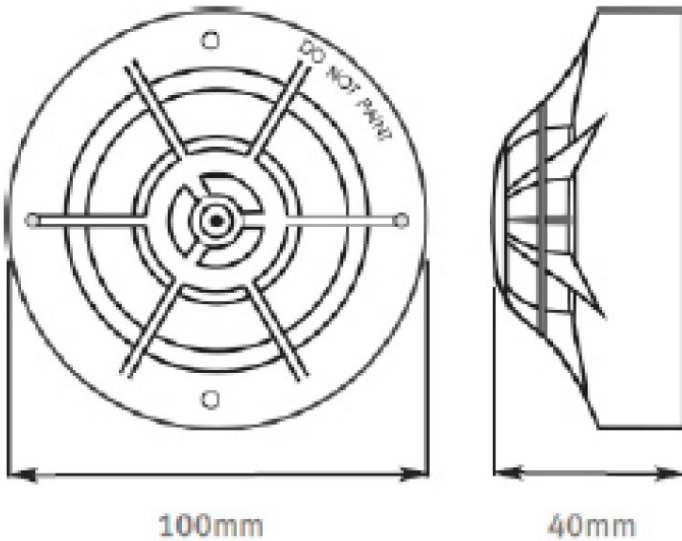
Double LED for 360° viewing.

Sleek, low-profile design.

It includes a remote indicator output that is activated when the detector goes into alarm, with this output secondary equipment such as indicator lights or relay bases can be activated.



### Dimensions



### Intrinsically safe base AE/IS-BH

Standard base for the IS detector range.

Free of electronics with stainless steel terminals.

Sleek, low-profile design.



#### TECHNICAL CHARACTERISTICS

Power (Voltage):	15 - 30V DC
Consumption at rest:	50uA
Consumption in alarm:	50mA
Degree of protection:	IP63
Operating temperature:	-10 ° C / + 55 ° C
Maximum humidity:	95% - No condensation

#### CERTIFICATIONS

Certification: CPD | VdS | GL | ATEX  
 Certification Number: BAS01ATEX1021  
 ATEX classification II 1G EEx ia IIT

