

INTRINSICALLY SAFE OPTICAL DETECTOR

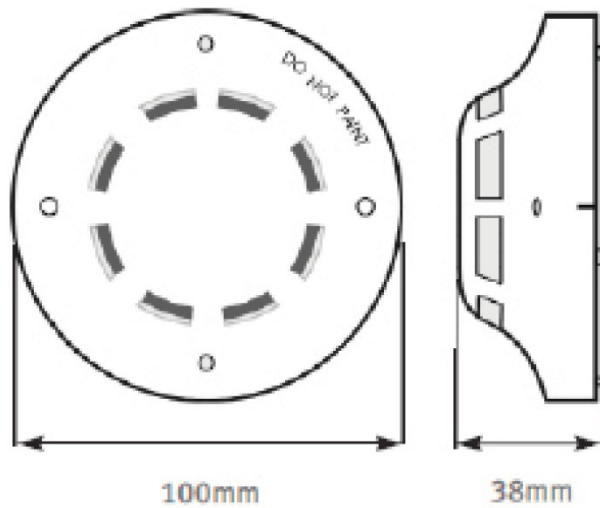
AE/IS-DOPH

Description

IS Certified Optical Smoke Detector.
 Double LED for 360° viewing.
 Sleek, low-profile design.
 It includes a remote indicator output that is activated when the detector goes into alarm, with this output secondary equipment such as indicator lights or relay bases can be activated.



Dimensions



Intrinsically safe base AE/IS-B

Standard base for the IS detector range.
 Free of electronics with stainless steel terminals.
 Sleek, low-profile design.



TECHNICAL CHARACTERISTICS

Power (Voltage):	15 - 30V DC
Consumption at rest:	50uA
Consumption in alarm:	40mA
Degree of protection:	IP42
Operating temperature:	-10 ° C / + 50 ° C
Maximum humidity:	95% - No condensation

CERTIFICATIONS

Certification: CPD | VdS | GL | ATEX
 ATEX Certification Number: BAS01ATEX1281
 ATEX classification II 1G EEx ia IIT5

