

# DOUBLE FLAME DETECTOR UV / IR2 TECHNOLOGY

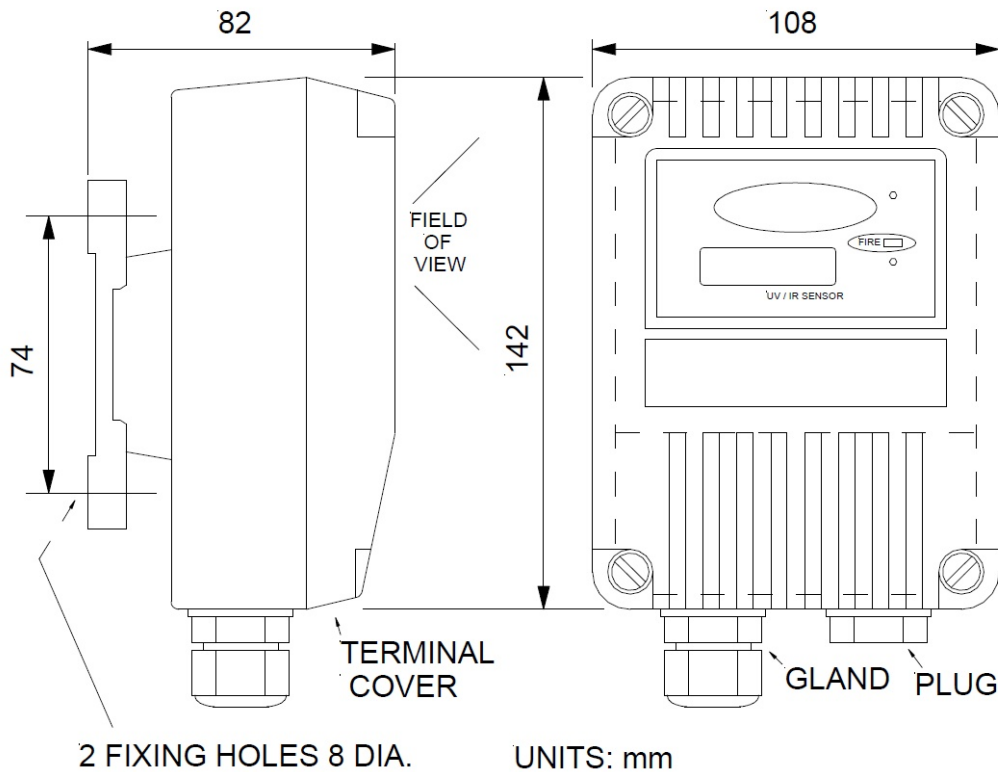
## AE/FL-UVIR2

### Description

Flame detector with dual technology infrared (IR) and ultraviolet (UV: 185 to 260 nm) sensors. 90° detection cone and detection distance up to 45 meters. Low consumption (8mA). Incorporates relay output. Programmable sensitivity. It incorporates filters and microprocessor analysis to eliminate false alarms. Spectral response in the infrared: 1 to 15Hz. Power supply 14-30Vdc., Consumption: 20mA.



### Dimensions



#### TECHNICAL CHARACTERISTICS

Supply voltage:	14 - 30 Vdc
Current:	3/9, 4/8/14, 4-20, 8-20 mA
Field of view:	90 ° min. cone
Spectral Response (IR):	0.75 to 2.7 μm
Working temperature:	-10 ° C to 55 ° C
Storage temperature:	-20 ° C to 65 ° C
Relative humidity:	95% non-condensing
Protection index:	IP65
Weight:	2 kg

#### CERTIFICATIONS

IEC EEx d IIC T6 certification  
SIL 2 certificate