

SPARK AND FLAME DETECTOR WITH IR SENSOR

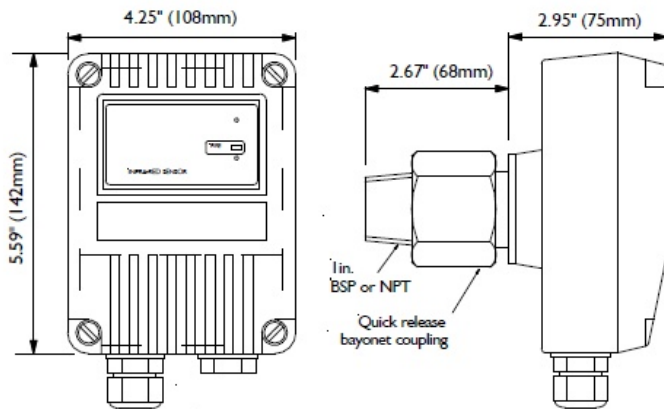
AE/FL-IRFS

Description

Designed for the early detection (<1s) of sparks and flames inside ducts, machinery and / or closed areas where there is no visible light. They have a selective infrared sensor with low frequency modulated infrared radiation, such as that emitted by flames and sparks. Its bayonet mounting allows its direct installation in the body of the machine or duct.



Dimensions



TECHNICAL CHARACTERISTICS

Mechanical specifications

Housing Material:	Diecast Zinc Alloy (ZA12)
Housing Color:	Blue
Dimensions:	142 (H) x 108 (W) x 143 (D) mm
Weight:	2.4kg
Gland entries:	2 x 20mm
Wiring:	1.0 to 4.0 mm ²

Electric specifications

Supply voltage:	14 to 28Vdc
Quiescent current	8mA, RL2 energized 4 mA, current loop, RL2 off 3 mA, RL2 off
Alarm current	28 mA, RL1 and RL2 energized 20 mA, current loop, RL1 and 2 off 9mA, RL1 energized
Power on time:	2 seconds max.
Test signal voltage:	14 to 28 Vdc
Relay outputs	- Programmable: normally open or normally closed Blocking or not blocking - Ratings: Current 0.250A Max.
Voltage:	30Vdc Max.
Power:	3.0W Max. (Note: resistive loads only)

Environmental

Operating temperature:	-10 ° C to + 55 ° C
Storage temperature:	-20 ° C to + 65 ° C
Relative humidity:	95% non-condensing
IP Rating I:	IP65