

# WATERPROOF PUSHBUTTON PROTECTOR

## AE/V-SW5

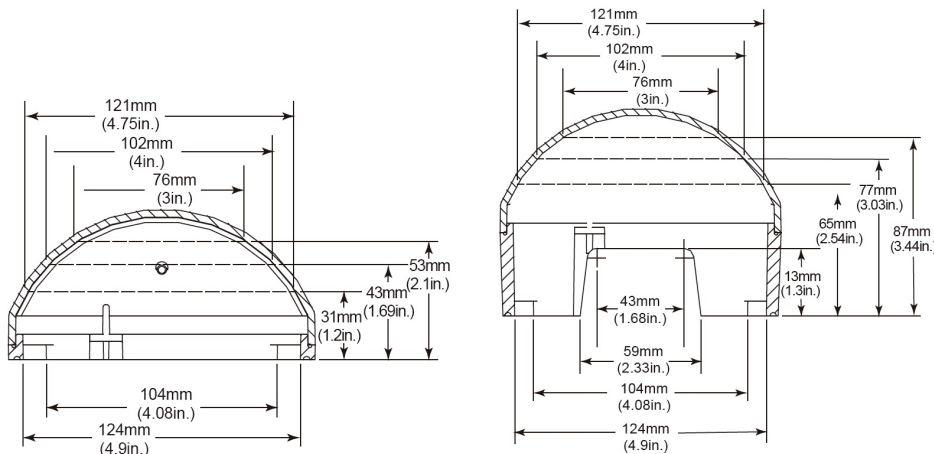
### Description

Indoor and outdoor low-profile polycarbonate or dome cover to protect devices such as manual call buttons, emergency buttons, double-action pull stations, etc., without restricting their legitimate operation. The versatile cover offers excellent protection against physical damage (both accidental and intentional), dust and dirt, as well as harsh environments inside and out.

Designed for areas where the incidence of false fire alarms from manual call points is high or has proven to be a serious problem. Any downside to the device is more than balanced when considering the consequences of false fire alarms, especially if fire service personnel and equipment are responding to a false fire alarm when needed for an actual fire elsewhere.

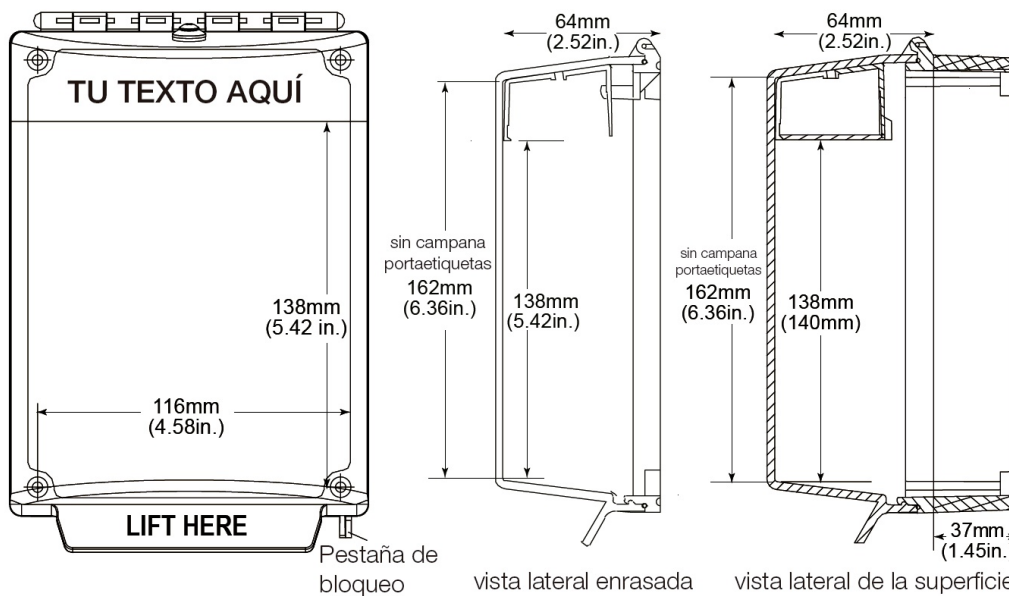


### Dimensions



montaje empotrado

montaje en superficie



Pestaña de bloqueo

vista lateral enrasada

vista lateral de la superficie

### TECHNICAL CHARACTERISTICS

Polycarbonate working temperature: -40 ° to 121 ° C (-40 ° to 250 ° F).