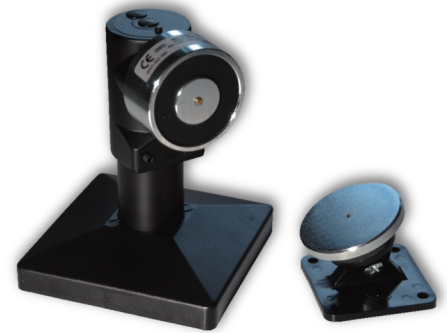


# RETAINER 100 Kg FOR FLOOR WITH 15-18cm EXTENDABLE ARM

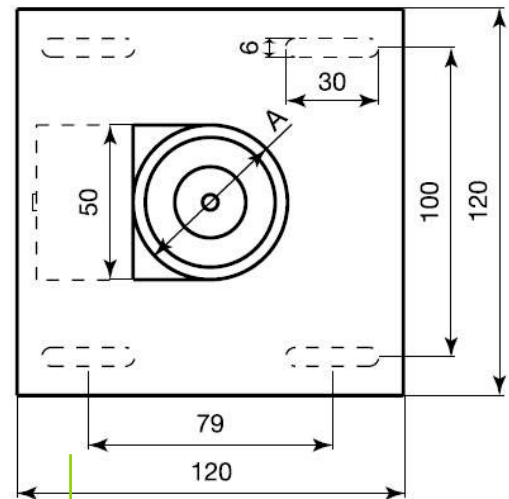
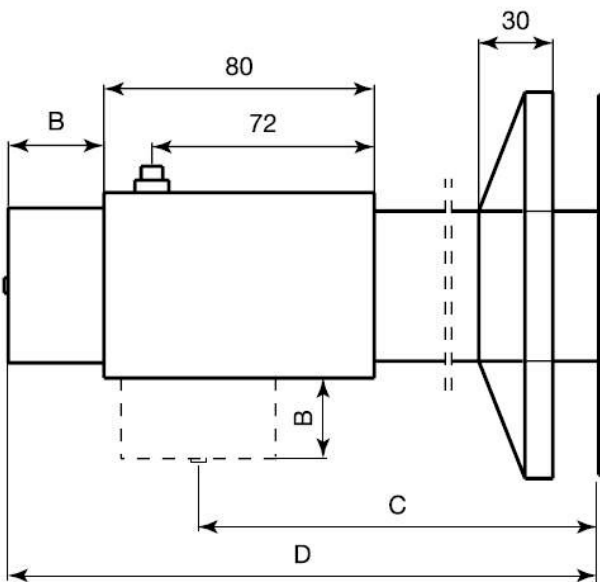
## AE/V-R4100B15

### Description

They are used to keep fire doors or fire doors open and automatically release them in the event of a fire. The clamps allow these electromagnets to be installed on the floor, ceiling or wall, either in an axial or perpendicular position. They consist of the following parts: the electromagnet mounted on an aluminum bracket, the steel clamp, the thermoplastic cover and the plywood. They have unlock buttons.



### Dimensions



### TECHNICAL CHARACTERISTICS

Material:	Aluminum and steel
Operating temperature:	-10°C + 55°C
Protection degree:	IP40
Power:	24Vdc
Consumption:	45mA
Clamping force:	100Kg / 980N