

OUTDOOR WATER RESISTANT ALARM PUSH BUTTON

AE/V-PSIP67

Description

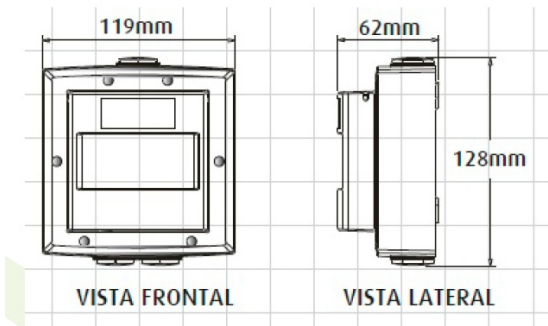
Conventional waterproof alarm button with IP67 protection.

Certified according to EN54-11 Standard. Provides the perfect solution for conventional fire alarm systems. Ideal for all exterior applications such as oil rigs, ships, factories as well as wash areas that are sensitive to glass breakage.

- Proven water resistance for IP67.
- The appearance of glass dissuades its use.
- Positive activation that mimics the feeling of glass breakage.
- Visible alarm icon confirming activation.
- With a simple key, the button is restored to the initial state.
- There is no glass break.
- There is no possibility of loss, breakage or lack of adjustment of the glass during installation.
- Full functional control with each activation.
- Attractive and high quality visual and operational appearance.
- High capacity ends with low profile.
- It incorporates two resistances.
- Available in red, green, yellow, blue or white.



Dimensions



Actions



1 Positive action: Imitates the feeling of broken glass.



2 The alarm icon appears when the alarm is activated.



3 Insert the key to put the pushbutton in the initial state.



4 A quick turn and the pushbutton returns to its initial state.

TECHNICAL CHARACTERISTICS

Current range:	3 Amps 125 - 250V AC
Back mounting box material:	Polycarbonate
Electrical Contact Material:	Silver Bronze Contact
Operating temperature:	-20°C to +65°C
Terminal Conductor Size Installation:	0.5mm to 2.5mm
Colors:	Red, yellow, green, blue and white
Mounting:	Surface Back Box