

Specifications	
Name	Value
Finished	Black paint ( RAL 9005 )

Reference	Capacity (L.)	Length (mm)	Width (mm)	Hole distance (mm)
H402	80	402	292	372
H120	120	536	384	496
H120	140	536	384	496



**aguilera**  
extinción

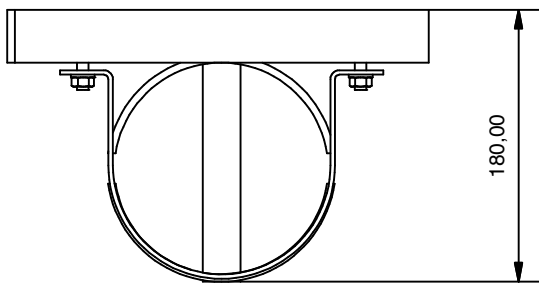
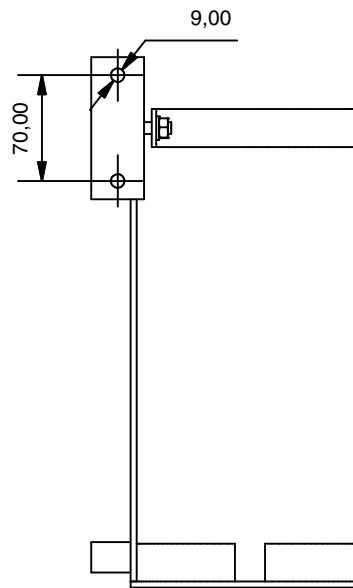
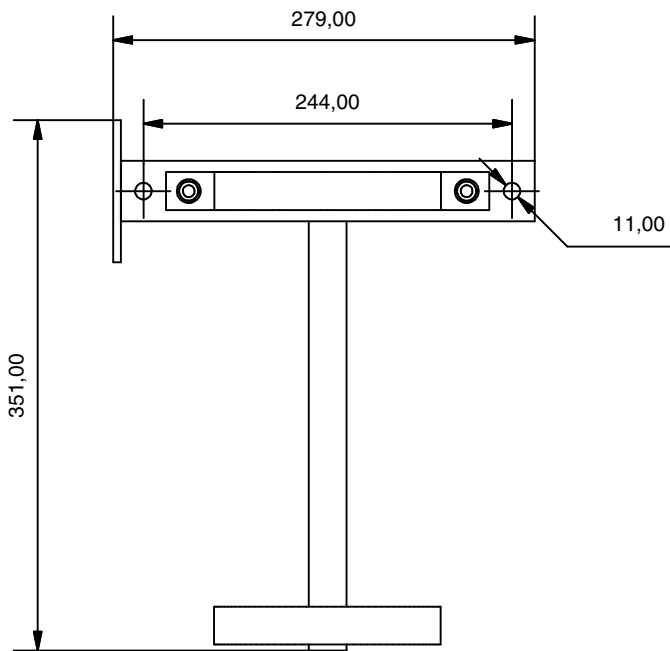
Av. Alfonso Peña Boeuf, 6 y 9  
28022 MADRID - ESPAÑA  
TEL: +34 913121656  
FAX: +34 913295820

**DATA SHEET**  
**IRONWORK AUTONOMOUS CYLINDER**

Description: Element used to anchor the cylinder to the wall.

Code sheet:	Group sheet:	Reference:	Drawn:	Date:	Revised:	Date:	Review:	Format:
AEX-FTC-09-021	IG-55	VER TABLA	DCM	27/08/2015	MRC	27/08/2015	1	A4

Note: Aguilera Extinción S.L. Reserves the right to modify any of the characteristics stated in this document without notice.



Specifications	
Name	Value
Finished	Black paint (RAL 9005)



**aguilera**  
extinción

Av. Alfonso Peña Boeuf, 6 y 9  
28022 MADRID - ESPAÑA  
TEL: +34 913121656  
FAX: +34 913295820

## DATA SHEET

### IRONWORK FOR PILOT BOTTLE

Description: Element used to anchor the pilot bottle to the wall. In the case of being next to a battery in double row can also be anchored to the hardware of the battery.

Code sheet:	Group sheet:	Reference:	Drawn:	Date:	Revised:	Date:	Review:	Format:
AEX-FTC-09-036	IG-55	HP274	DCM	28/04/2016	MRC	28/04/2016	1	A4

Note: Aguilera Extinción S.L. Reserves the right to modify any of the characteristics stated in this document without notice.