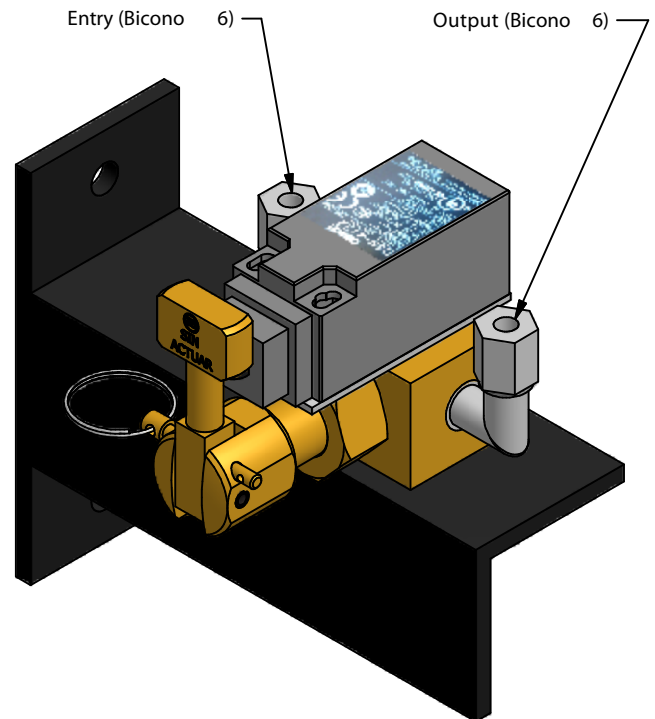
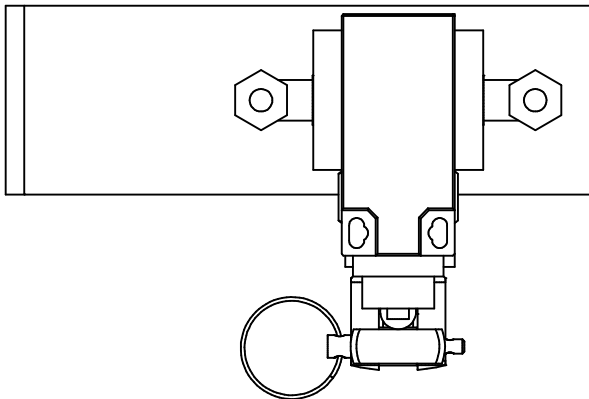
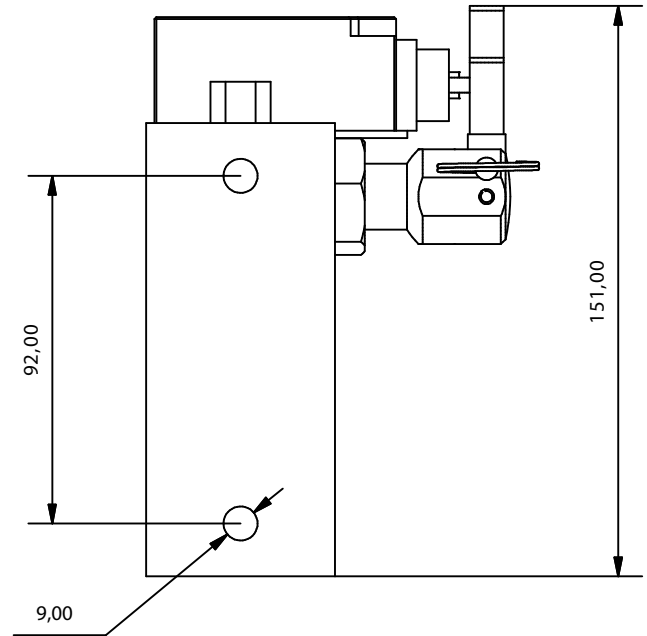
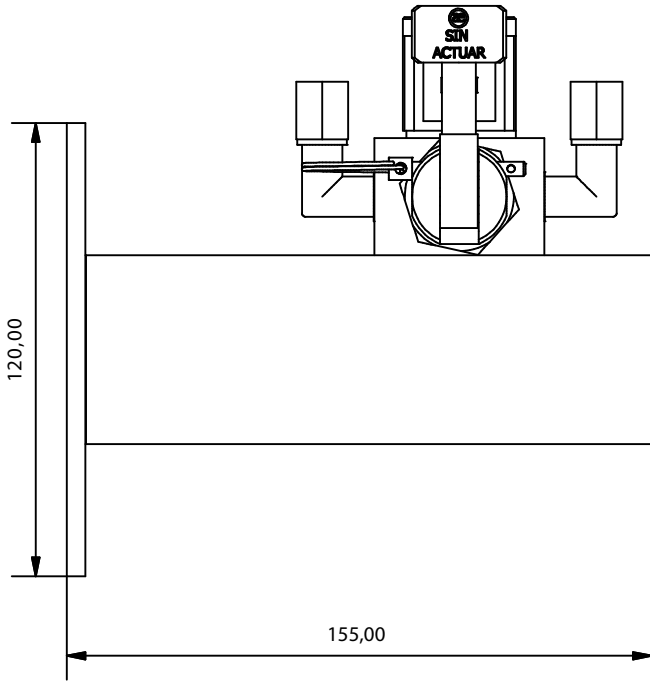


TRIGGER CIRCUIT OUTLET VALVE



Specifications	
Name	Value
Body material	Brass
Alternating current	3A/240VCA
Direct current	27A/250VDC
Protection	IP67
Limitations	Interior use

Description: Element used to manually relieve the pressure of the trip circuit. It has one contact normally open and another normally closed.

Code sheet:	Group sheet:	Reference:	Drawn:	Date:	Revised:	Date:	Review:	Format:
AEX-FTC-09-040	IG-55	AEX/VVD	DCM	27/04/2016	MRC	27/04/2016	1	A4