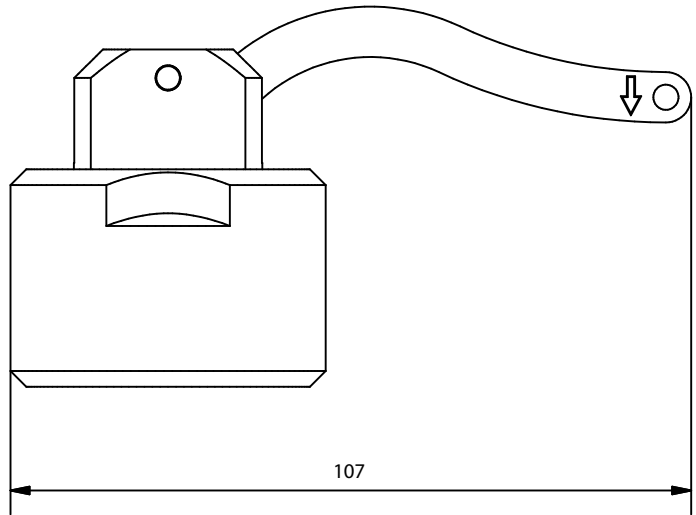
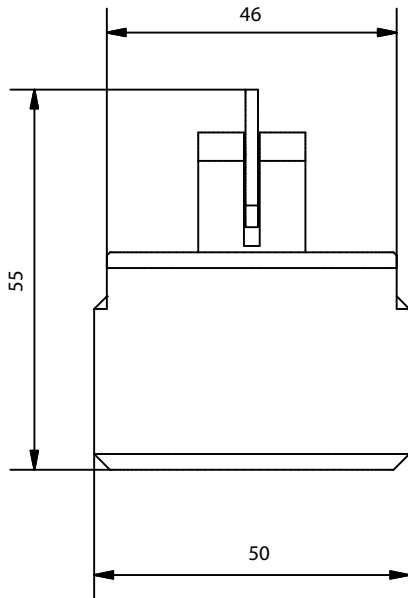
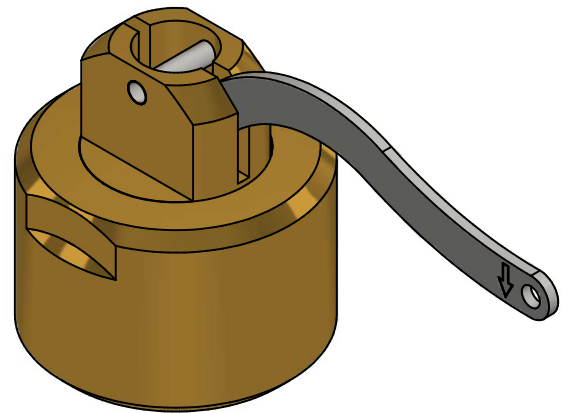
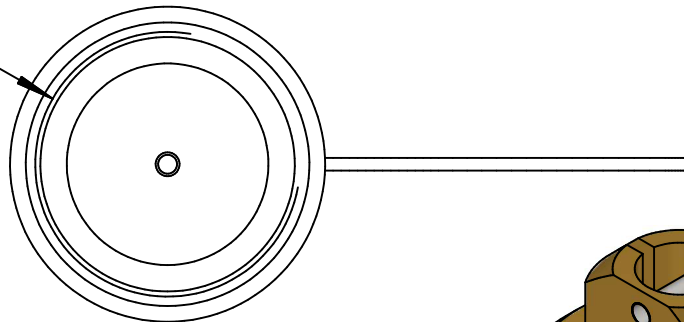


MANUAL ACTUATOR

AEX-FKAM



Female M42x1.5



| Specifications | |
|-------------------------|-------------|
| Weight | 406 g |
| Materials housing | Latón |
| Strength to performance | < 150 N |
| Tightening torque | 50 Nm |
| Temperature range | -20°C/+50°C |

Description: Element used to manually discharge the cylinder or battery of cylinders. It has a safety pin to avoid an involuntary actuation.

| Code data sheet: | Group data sheet: | Reference: | Drawn : | Date: | Revised: | Date: | Review: | Format: |
|------------------|-------------------|------------|---------|------------|----------|------------|---------|---------|
| AEX-FTC-09-057 | IG-55 | AEX-FKAM | DCM | 17/02/2021 | ENC | 17/02/2021 | 1 | A4 |