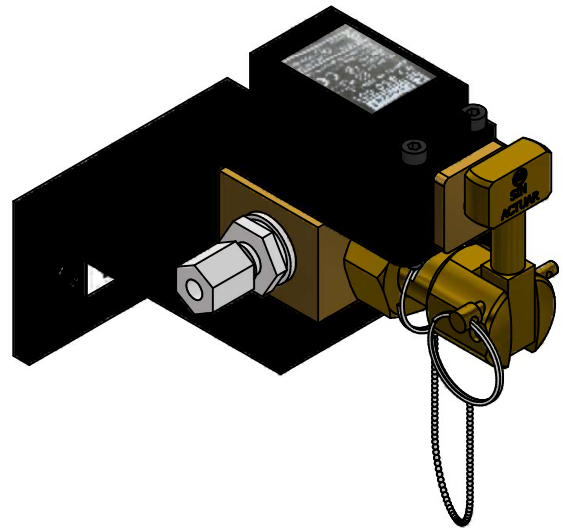
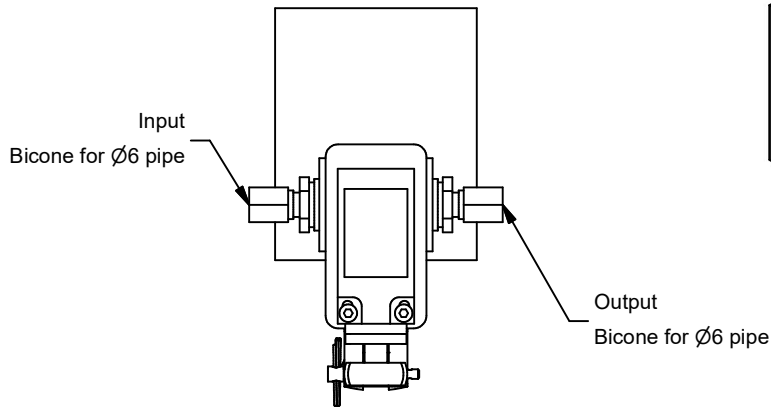
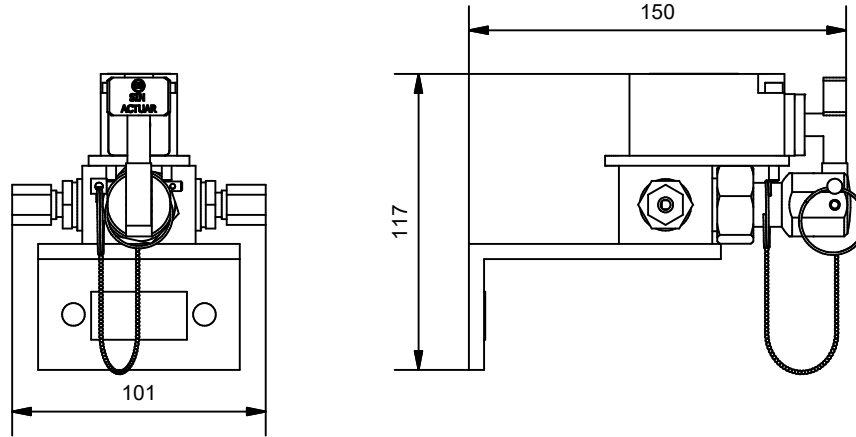


# TRIGGER CIRCUIT OUTLET VALVE

## AEX/VVD



Specifications	
Body material	Brass
Alternating current	3A/240VCA
Direct current	27A/250VDC
Protection	IP67
Limitations	Indoor use



Av. Alfonso Peña Boeuf, 6 y 9  
 28022 MADRID - ESPAÑA  
 TEL: +34 913121656  
 FAX: +34 913295820

### TECHNICAL DATA SHEET

#### TRIGGER CIRCUIT OUTLET VALVE

Description: Element used to manually relieve the pressure of the trip circuit. It has one contact normally open and another normally closed.

Sheet code:	Solution sheet:	Reference:	Drawn:	Date:	Revised:	Date:	Revision:	Format:
AEX-FTC-61-059	FK-5-1-12	AEX/VVD	DCM	02-08-23	ENC	02-08-23	1.1	A4