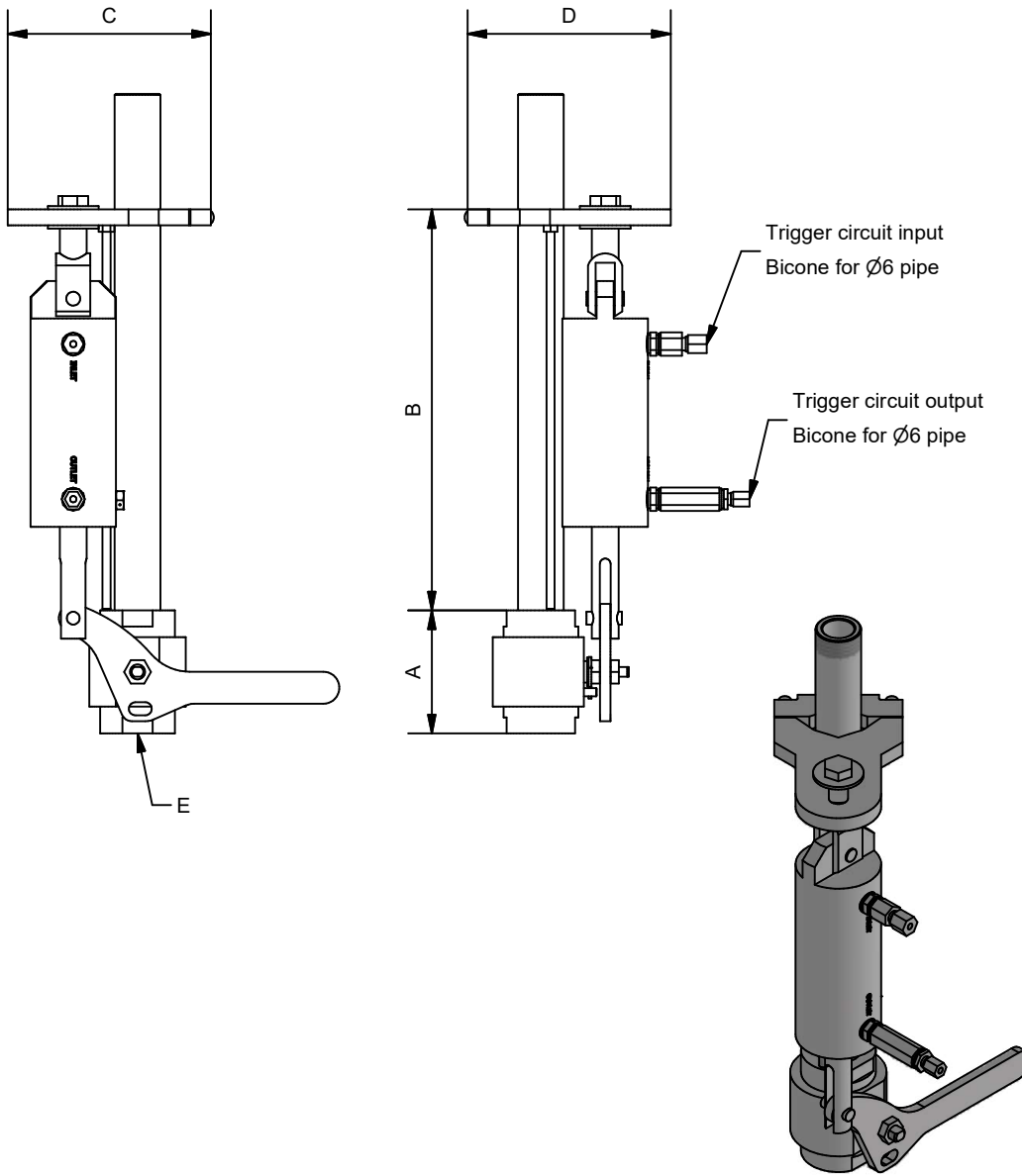


DIRECTIONAL VALVE
AEX/VDARx


Specifications						
Reference	AEX/VDAR114	AEX/VDAR2	AEX/VDAR3			
Test pressure valve	572 bar	572 bar	572 bar			
Actuator test pressure	150 bar	150 bar	150 bar			
Minimum operating pressure	20 bar	20 bar	20 bar			
Working temperature	-35°C / +60°C	-35°C / +60°C	-35°C / +60°C			
Weight	16 Kg	24 Kg	40 Kg			
A	120	150	210			
B	380	370	340			
C	120	120	150			
D	230	220	235			
E	NPT 1 1/4"		NPT 2"	NPT 3"		
Certification	0068 CPR EN 12094-5	0068 CPR EN 12094-5	0068 CPR EN 12094-5			


 Av. Alfonso Peña Boeuf, 6 y 9
 28022 MADRID - ESPAÑA
 TEL: +34 913121656
 FAX: +34 913295820

TECHNICAL DATA SHEET
DIRECTIONAL VALVE

Description: Valve used to protect more than one risk with the same cylinder or cylinder bank.

Sheet code:	Solution sheet:	Reference:	Drawn:	Date:	Revised:	Date:	Revision:	Format:
AEX-FTC-61-026	FK-5-1-12	AEX/VDARx	DCM	02-08-23	ENC	02-08-23	1.1	A4