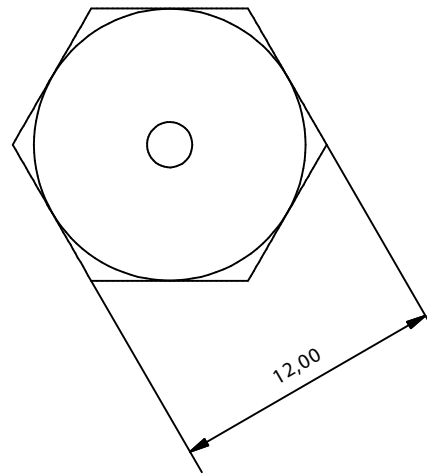
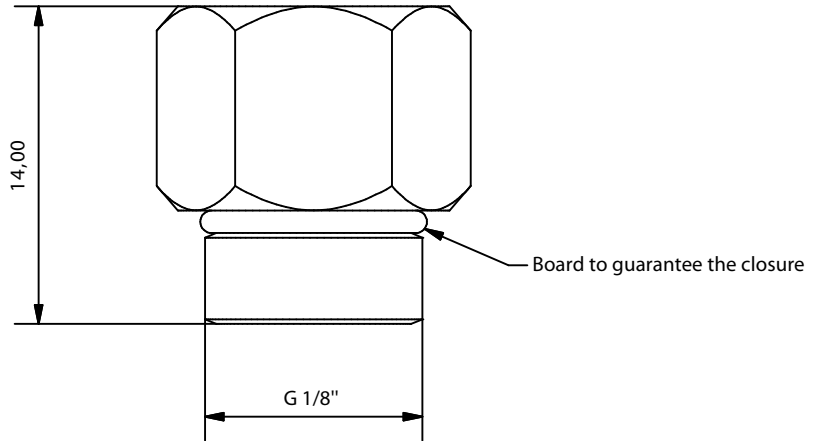
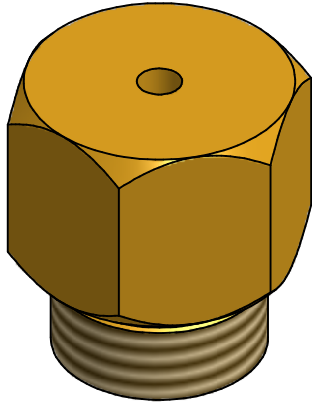


RELIEF VALVE

AEX/VA



Specifications	
Name	Value
Material	Brass
Weight	11 g
Closing pressure	=5 bar



Av. Alfonso Peña Boeuf, 6 y 9
 28022 MADRID - ESPAÑA
 TEL: +34 913121656
 FAX: +34 913295820

DATA SHEET

RELIEF VALVE

Description: Element used to relieve pressure in the upper chamber of the pilot valve of a cylinder from 5 to 13.4 L and prevent accidental discharge in the event of a small leak.

Code sheet:	Group sheet:	Reference:	Drawn:	Date:	Revised:	Date:	Review:	Format:
AEX-FTC-061-060	FK-5-1-12	AEX/VA	DCM	28/07/2016	MRC	28/07/2016	1	A4