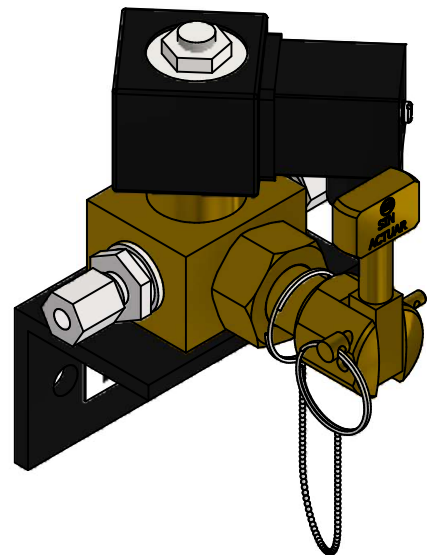
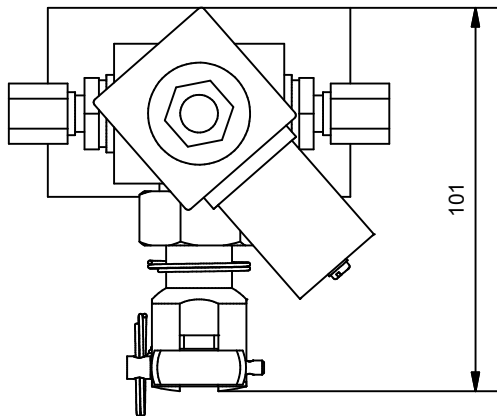
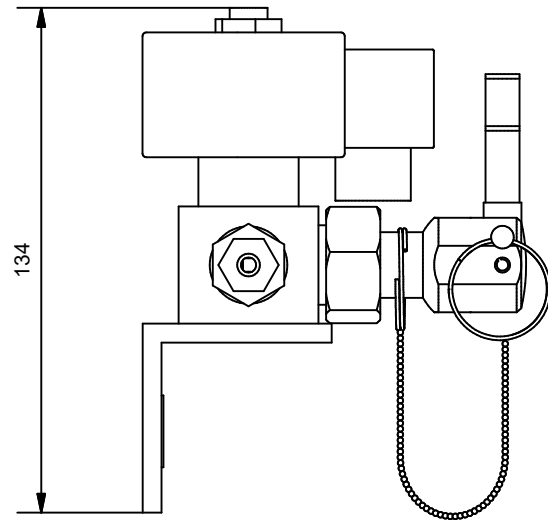
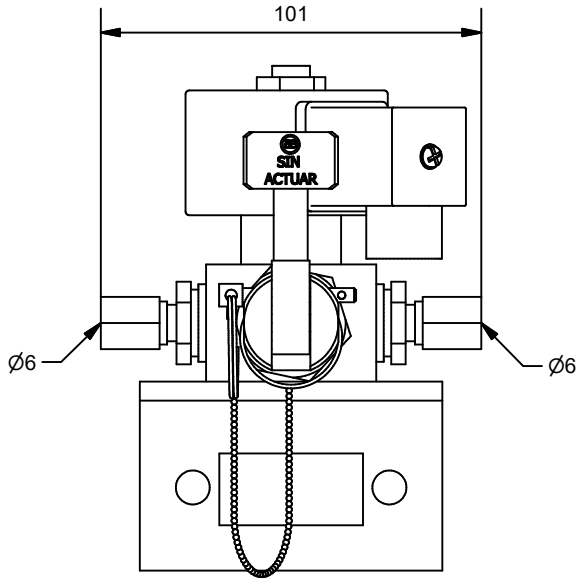


TRIGGER SYSTEM FOR DIRECTIONAL VALVES

AEX/SDR



Specifications	
Material block	Brass
Support finish	RAL 9005 paint
Voltage	24 Vdc
Intensity	500 mA
Weight	1.3 Kg



Av. Alfonso Peña Boeuf, 6 y 9
 28022 MADRID - ESPAÑA
 TEL: +34 913121656
 FAX: +34 913295820

TECHNICAL DATA SHEET

TRIGGER SYSTEM FOR DIRECTIONAL VALVES

Description: The triggering system for directional valves is responsible for opening the directional valve that corresponds to the risk to be protected.

Sheet code:	Solution sheet:	Reference:	Drawn:	Date:	Revised:	Date:	Revision:	Format:
AEX-FTC-61-063	FK-5-1-12	AEX/SDR	DCM	11-12-23	ENC	11-12-23	1.1	A4