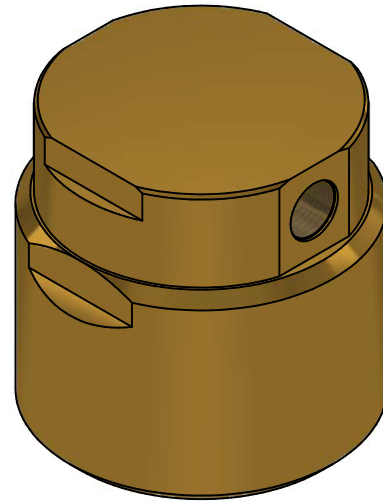
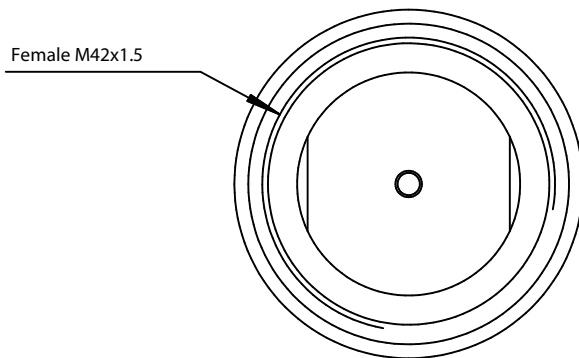
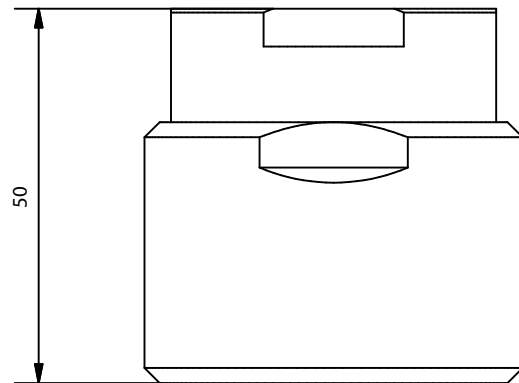
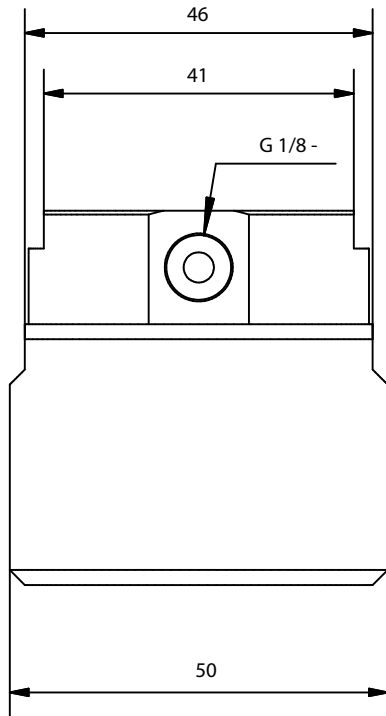


PNEUMATIC ACTUATOR

AEX-FKAN



Specifications	
Weight	489 g
Material	Latón
Tightening torque	50 Nm
Minimum pressure required for actuation	21 bar
Minimum time with pressure to act	≥ 1 s
Temperature range	-20°C/+50°C



Av. Alfonso Peña Boeuf, 6 y 9
 28022 MADRID - ESPAÑA
 TEL: +34 913121656
 FAX: +34 913295820

DATA SHEET
 PNEUMATIC ACTUATOR

Description: Element used to pneumatically produce the opening of the slave valves.

Code data sheet:	group data sheet:	Reference :	Drawn:	Date:	Revised:	Date:	Review:	Format:
AEX-FTC-61-051	FK-5-1-12	AEX-FKAN	DCM	17/02/2021	ENC	17/02/2021	1	A4