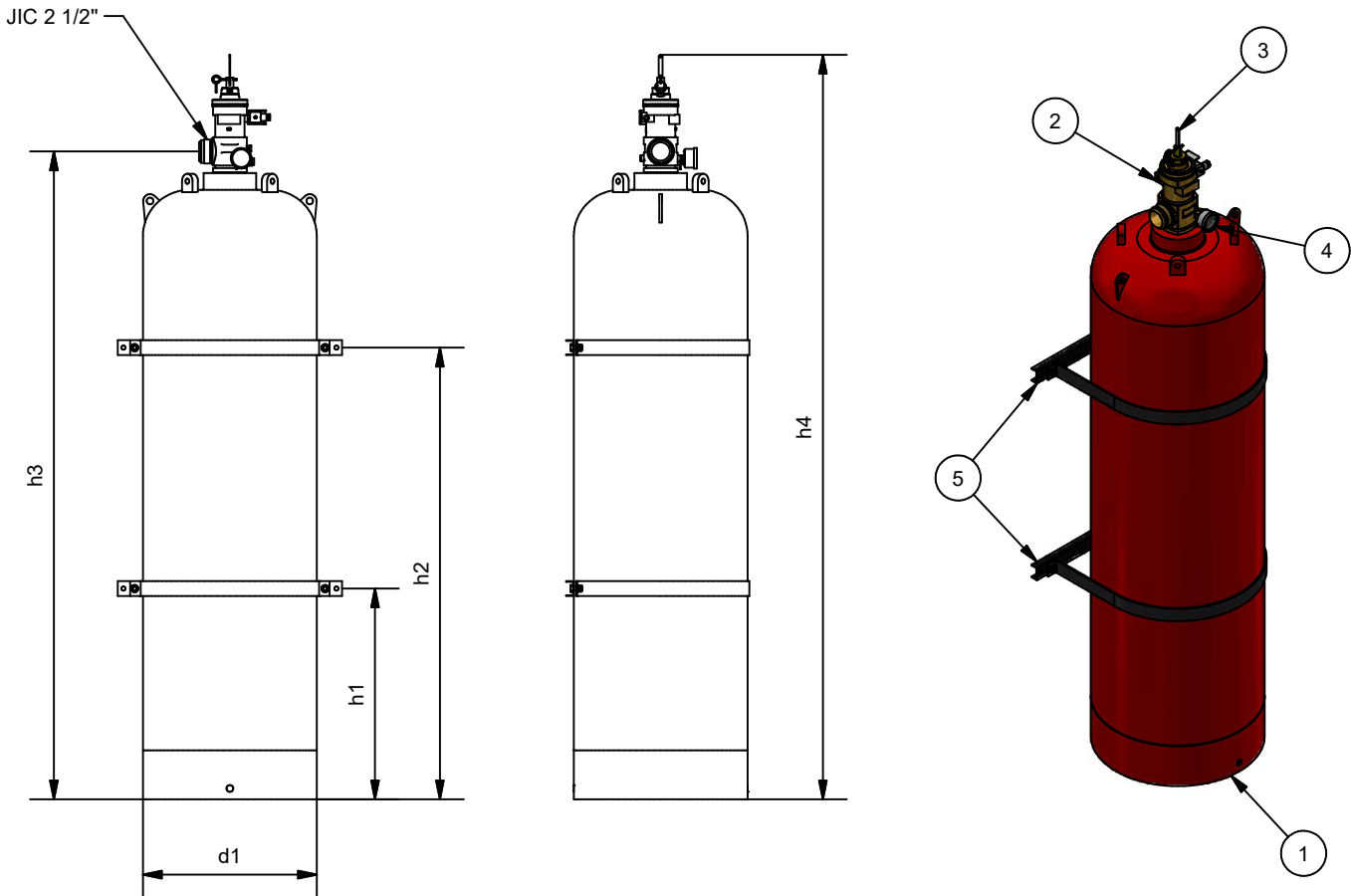


AUTONOMOUS CYLINDER 150 TO 240 L FK-5-1-12

AEX/FK(xxx)

Parts list				
Number	Reference	Description	AEX/FK150	AEX/FK240
1.1	BCS150	Cylinder 150 L	X	
1.2	BCS240	Cylinder 240 L		X
2	AEX-FKV2P	Autonomous valve with solenoid	X	X
3	AEX-FKAM2	Hand lever	X	X
4	AEX-FKMCNC25	Manometer	X	X
5.1	H410	Ironworks cylinders 150 L	X	
5.2	H462	Ironworks cylinders 240 L		X



Specifications		
Reference	AEX/FK150	AEX/FK240
Capacity	150 L	240 L
Minimum load	72 Kg	115.2 Kg
Maximum load	178.5 Kg	260.1 Kg
h1	320 mm	390 mm
h2	920 mm	1120 mm
h3	1439 mm	1730 mm
h4	1709 mm	2000 mm
d1	406 mm	462 mm
L1	564 mm	596 mm
L2	435 mm	490 mm
L3	223 mm	251 mm

Description: Autonomous cylinder equipped with ironwork, solenoid, manual lever and pressure gauge.

Sheet code:	Solution sheet:	Reference:	Drawn:	Date:	Revised:	Date:	Revision:	Format:
AEX-FTC-61-004	FK-5-1-12	AEX/FK(xxx)	DCM	12-09-23	ENC	12-09-23	1.1	A4