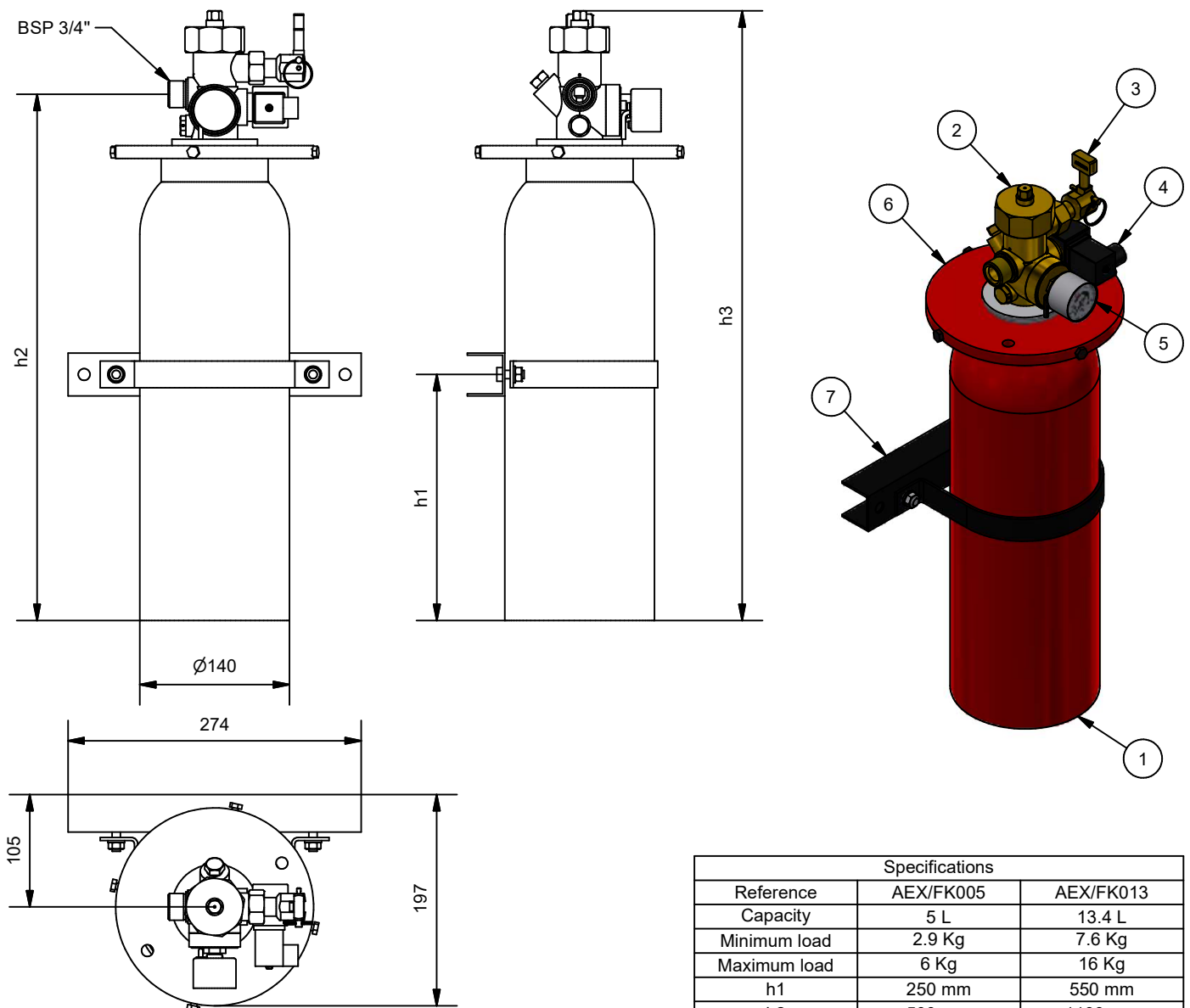


AUTONOMOUS CYLINDER 5 TO 13.4 L FK-5-1-12

AEX/FK(xxx)

Parts List				
Number	Reference	Description	AEX/FK005	AEX/FK013
1.1	BFE4	Cylinder 5 L	X	
1.2	BFE13	Cylinder 13.4 L		X
2	AEX/VN100	Autonomous valve	X	X
3	AEX/PM160A	Hand lever	X	X
4	AEX/NKVS24	Solenoid valve	X	X
5	AEX-FKMCNC42	Manometer	X	X
6	BRW80-1	Flange for cylinders with valve AE100	X	X
7	H274	Ironworks cylinders 5 to 13.4 L	X	X



Specifications		
Reference	AEX/FK005	AEX/FK013
Capacity	5 L	13.4 L
Minimum load	2.9 Kg	7.6 Kg
Maximum load	6 Kg	16 Kg
h1	250 mm	550 mm
h2	500 mm	1100 mm
h3	580 mm	1180 mm

Description: Autonomous cylinder equipped with ironwork, solenoid, manual lever and pressure gauge.

Sheet code:	Solution sheet:	Reference:	Drawn:	Date:	Revised:	Date:	Revision:	Format:
AEX-FTC-61-001	FK-5-1-12	AEX/FK(xxx)	DCM	12-09-23	ENC	12-09-23	1.2	A4