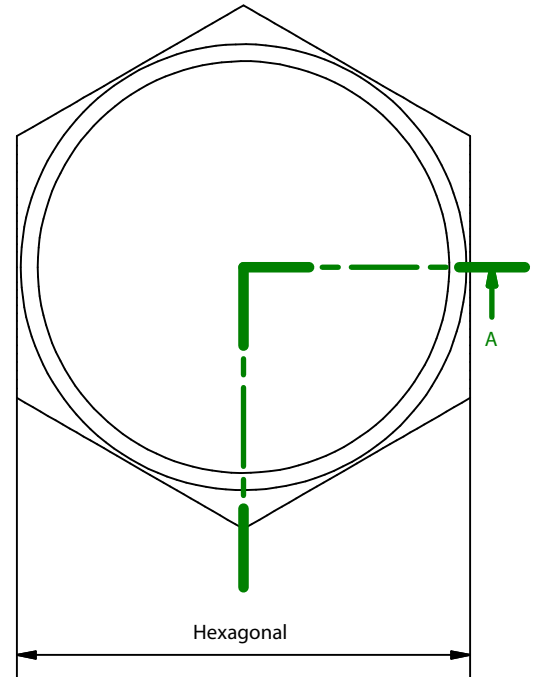
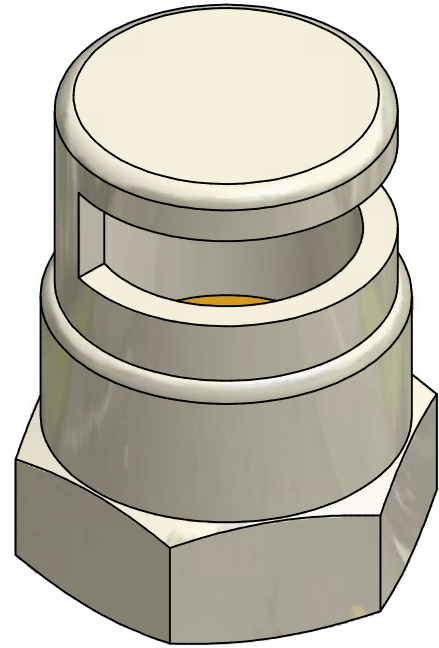
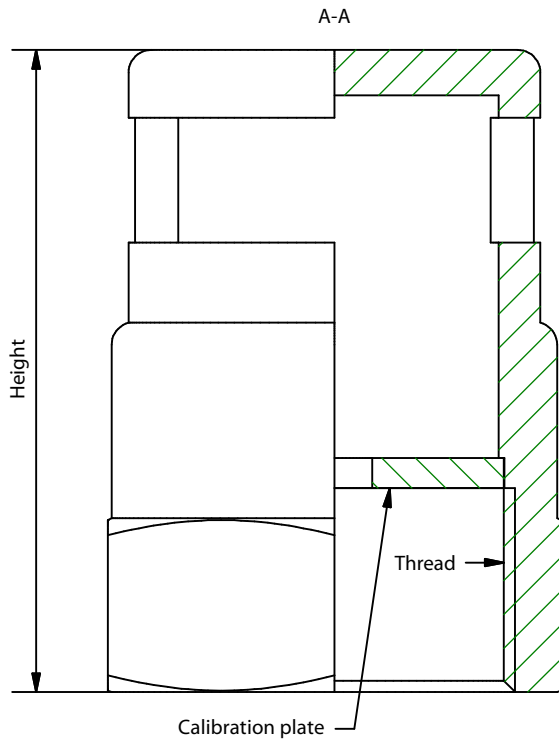




CALIBRATED WINDOW DIFFUSER



Reference	Thread	Height	Hexagonal	Weight
AEX/DV14C	Female Gas 1/4"	30 mm	18 mm	31 g
AEX/DV38C	Female Gas 3/8"	35 mm	22 mm	50 g
AEX/DV12C	Female Gas 1/2"	46 mm	27 mm	95 g
AEX/DV34C	Female Gas 3/4"	50 mm	32 mm	128 g
AEX/DV1C	Female Gas 1"	60 mm	40 mm	261 g
AEX/DV114C	Female Gas 1 1/4"	70 mm	50 mm	416 g
AEX/DV112C	Female Gas 1 1/2"	85 mm	60 mm	808 g

Specifications	
Name	Value
Body material	Steel F212
Body finished	Chrome
Calibration plate material	Brass



Av. Alfonso Peña Boeuf, 6 y 9
28022 MADRID - ESPAÑA
TEL: +34 913121656
FAX: +34 913295820

DATA SHEET CALIBRATED WINDOW DIFFUSER

Description: Component that allows to obtain a predetermined flow and a characteristic of uniform distribution of the extinguishing agent inside or on the protected risk.

Code sheet:	Group sheet:	Reference:	Drawn:	Date:	Revised:	Date:	Review:	Format:
AEX-FTC-61-034	FK-5-1-12	VER TABLA	DCM	27/07/2016	MRC	27/07/2016	1	A4