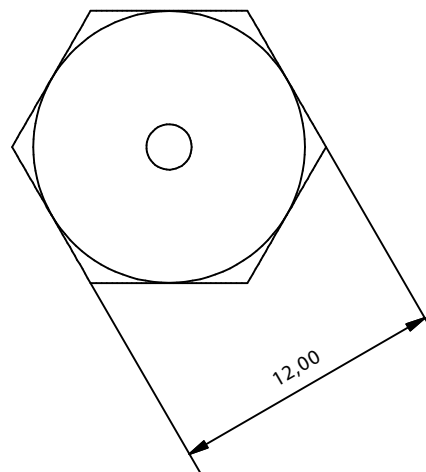
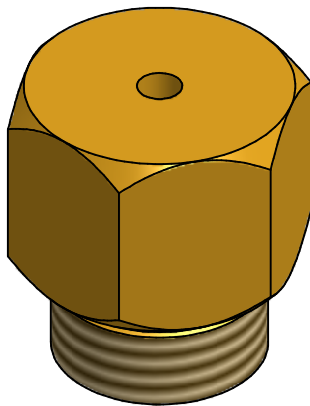
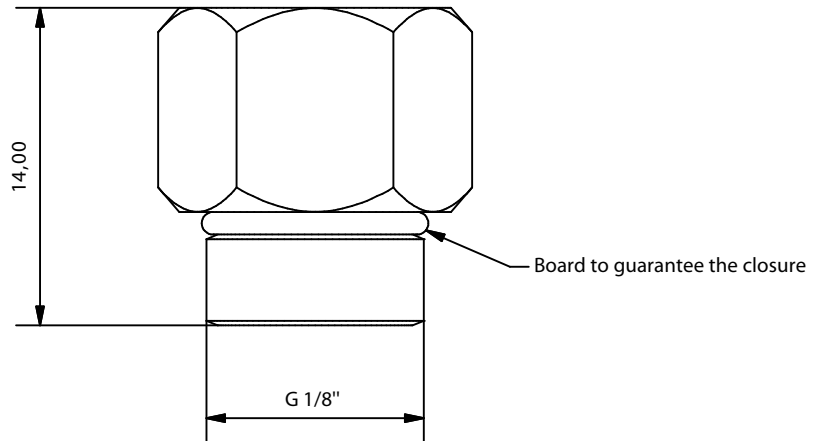


RELIEF VALVE

AEX/VA



Specifications	
Name	Value
Material	Brass
Weight	11 g
Closing pressure	=5 bar



Av. Alfonso Peña Boeuf, 6 y 9
 28022 MADRID - ESPAÑA
 TEL: +34 913121656
 FAX: +34 913295820

DATA SHEET RELIEF VALVE

Description: Element used to relieve the pressure in the firing circuit and prevent the accidental discharge of a battery of cylinders in case of a small leak

Code sheet:	Group sheet:	Reference:	Drawn:	Date:	Revised:	Date:	Review:	Format:
AEX-FTC-02-033	CO2	AEX/VA	DCM	27/08/2015	MRC	27/08/2015	1	A4