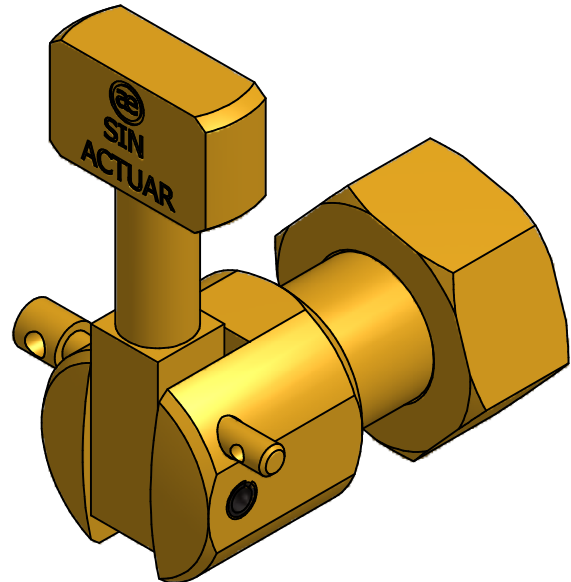
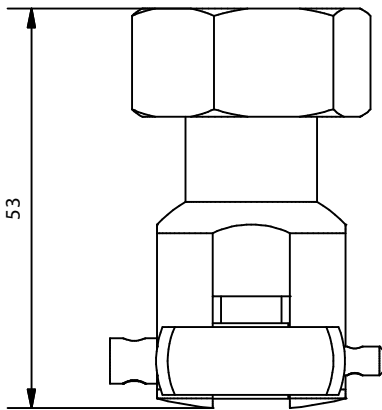
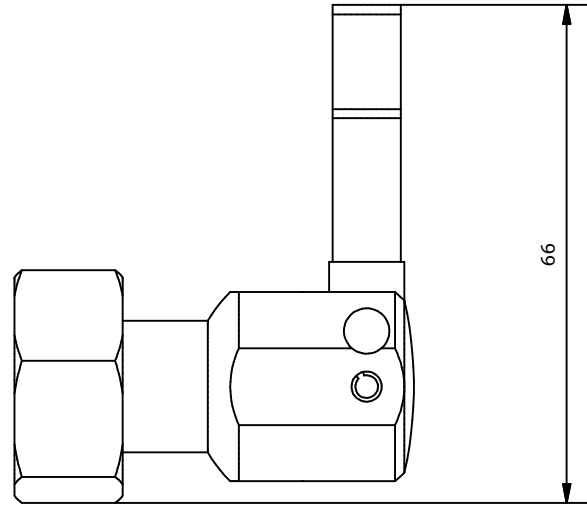
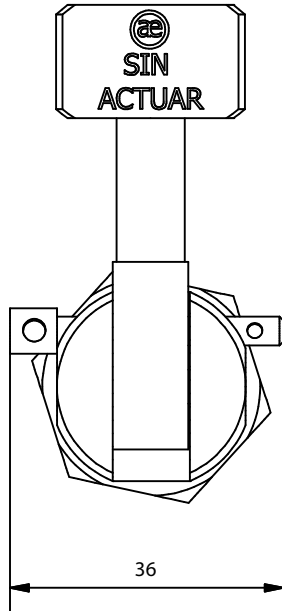


# HAND LEVER

## AEX/PM160A



Specifications	
Name	Value
Material	Brass
Certification	CE (UNE EN 12094-4)



Av. Alfonso Peña Boeuf, 6 y 9  
 28022 MADRID - ESPAÑA  
 TEL: +34 913121656  
 FAX: +34 913295820

### DATA SHEET

#### HAND LEVER

Description: Manual actuator for pilot bottle, firing systems for directional valves and drain valve.

Code sheet:	Group sheet:	Reference:	Drawn:	Date:	Revised:	Date:	Review:	Format:
AEX-FTC-02-031	CO2	AEX/PM160A	LCM	05/05/2016	MRC	05/05/2016	1	A4