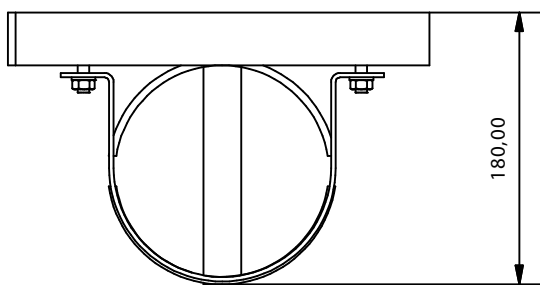
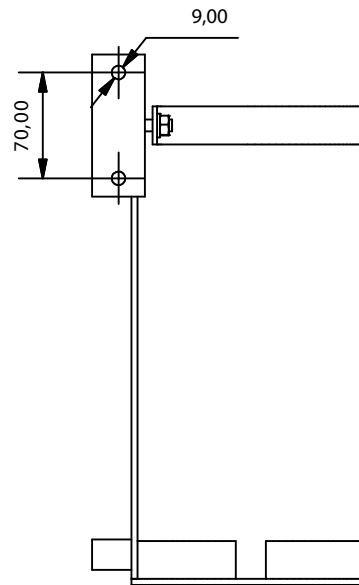
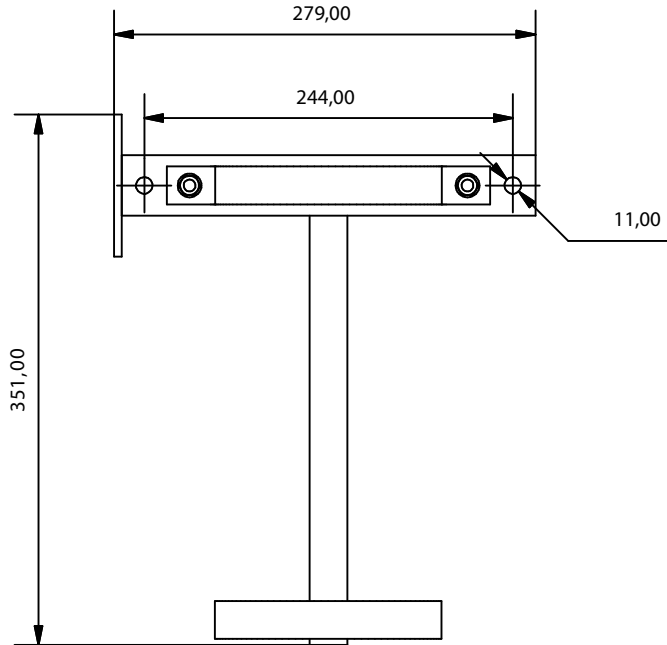


IRONWORK FOR PILOT BOTTLE

HP274



Specifications	
Name	Value
Finished	Black paint (RAL 9005)


 Av. Alfonso Peña Boeuf, 6 y 9
 28022 MADRID - ESPAÑA
 TEL: +34 913121656
 FAX: +34 913295820

DATA SHEET

IRONWORK FOR PILOT BOTTLE

Description: Element used to anchor the pilot bottle to the wall. In the case of being next to a battery in double row can also be anchored to the battery ironwork.

Code sheet:	Group sheet:	Reference:	Drawn:	Date:	Revised:	Date:	Review:	Format:
AEX-FTC-04-039	HFC-227ea	HP274	DCM	26/07/2017	MRC	26/07/2017	1	A4