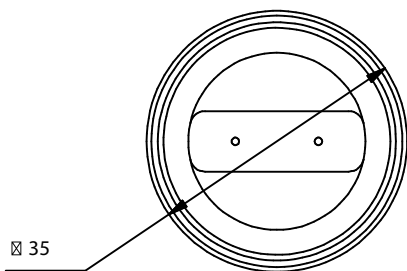
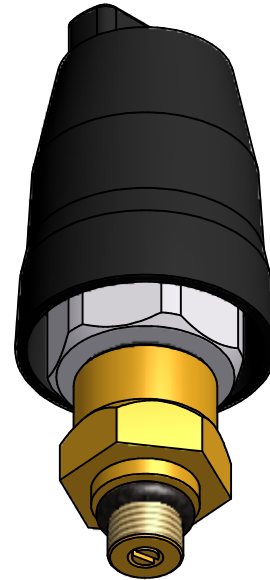
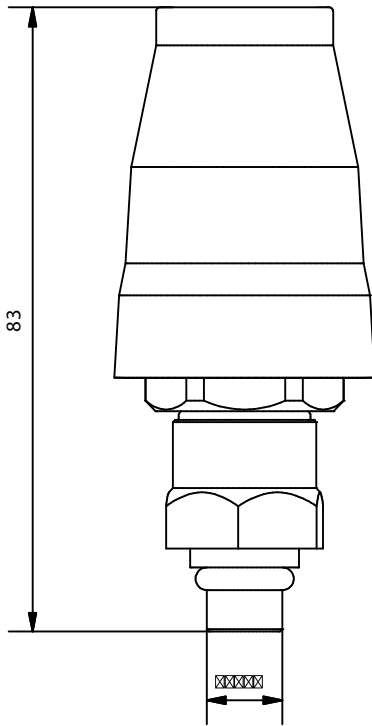


PRESSURE SWITCH POUR HFC 227ea

AEX/PA et AEX/PC



Specifications	
Name	Value
Body material	Galvanized steel
Material adapter	Brass
Maximum pressure	rab 003
Pressure range change of state	20-50 bar (±2)
Maximum tension	V 24
Maximum intensity	4 A
Temperature range	-40°C a 100°C
Maximum switching frequency	200 / min.
Life cycle	6^01
Protection	IP56

Reference	Contact	Change of state	Ref. Manufacturer
AEX /PA	N/A (with pressure)	28 Bar	Suco 0.166.416.03.1.063
AEX /PC	N/C (with pressure)	28 Bar	Suco 0.166.415.03.1.059


 Av. Alfonso Peña Boeuf, 6 y 9
 28022 MADRID - ES PA ÑA
 TEL: +34 913121656
 FAX: +34 913295820

DATA SHEET

PRESSURE SWITCH FOR HFC227ea

Description: Element that provides an electrical signal in case of loss of pressure in the cylinder.

Code sheet :	Group sheet:	Reference :	Drawn:	Date:	Revised:	Date:	Review :	Format:
AEX -FTC-04- 049	HFC 2 27ea	VE R TABLA	DCM	11/05/2017	MRC	11/05/2017	1	A4