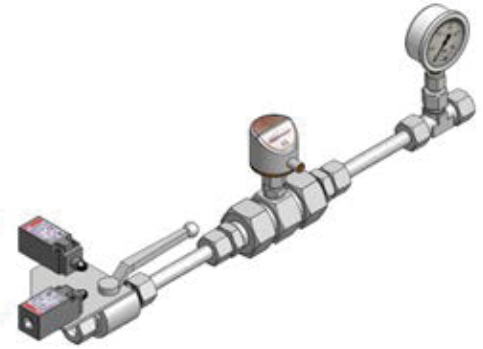




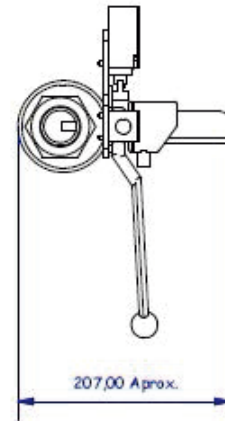
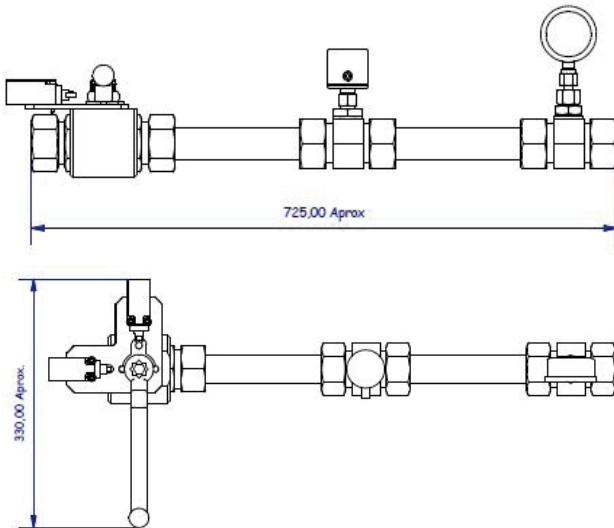
CONTROL VALVE WITH FLOW DETECTOR FOR 38 TUBE AN/VC38

Description

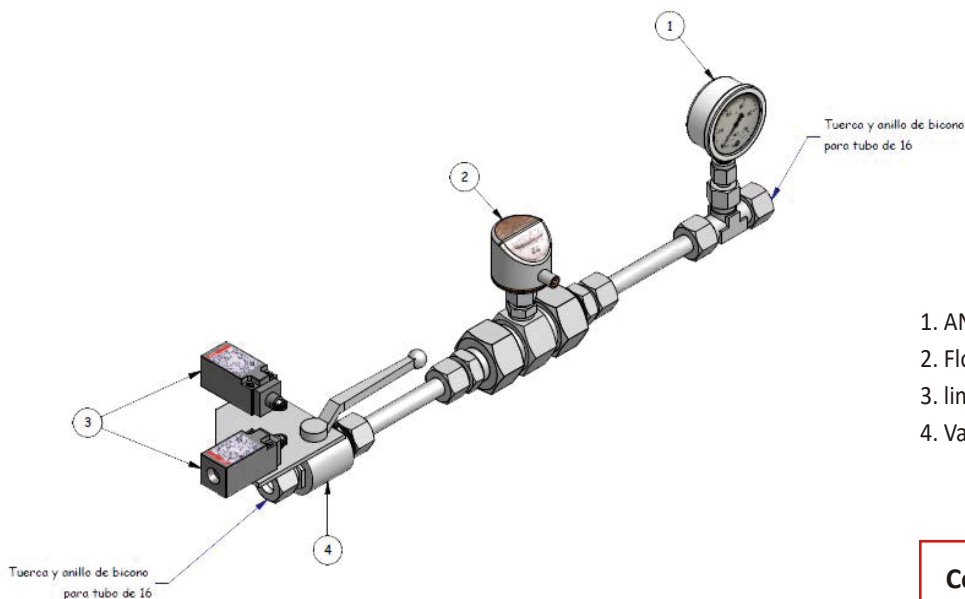
Equipment designed to be installed in those cases in which it is necessary to have a cut-off point with position control, pressure indication and alarm signaling in case of programmable minimum flow. It is made up of an inlet and an outlet with nut and bicone ring for 38 tube, a manual block valve, an open valve limit switch and a closed valve limit switch. It has a flow detector, this requires a 24Vdc power supply, and the programmable output can be PNP or NPN. It also incorporates a glycerin manometer with a range from 0 to 250 Bar.



Dimensions



Components



1. AN-M63B250 Pressure gauge (1 ud)
2. Flow detector AN-DF (1 ud)
3. limit switch AN-VC16L30 (2 ud)
4. Valve for pipe 38 AN-VCS38 (1 ud)

Consumption

Maximum current: 250 mA