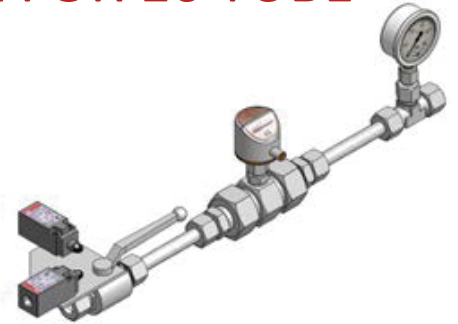


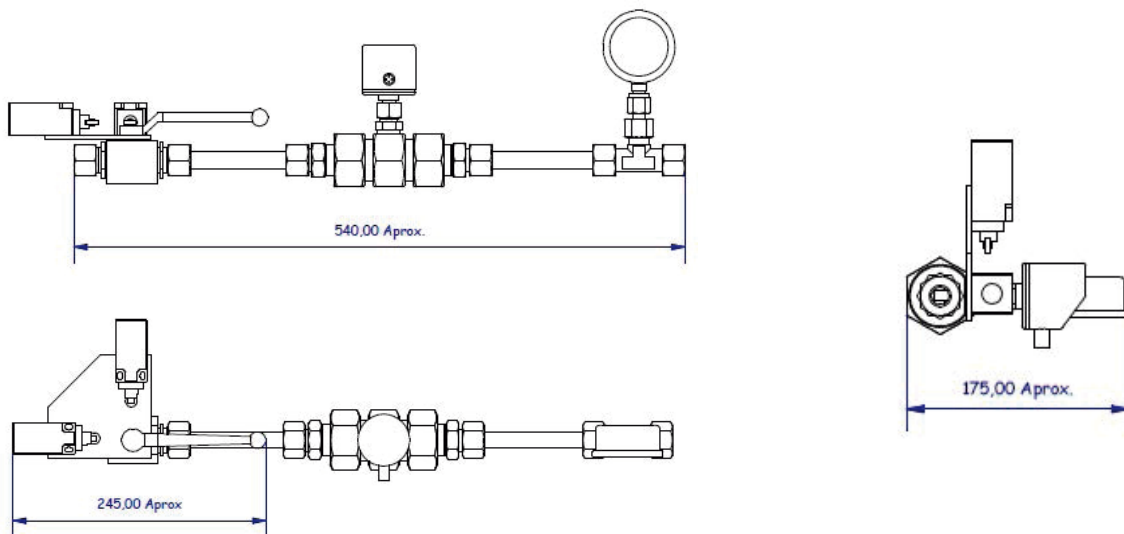
# CONTROL VALVE WITH FLOW DETECTOR FOR 16 TUBE AN/VC16

## Description

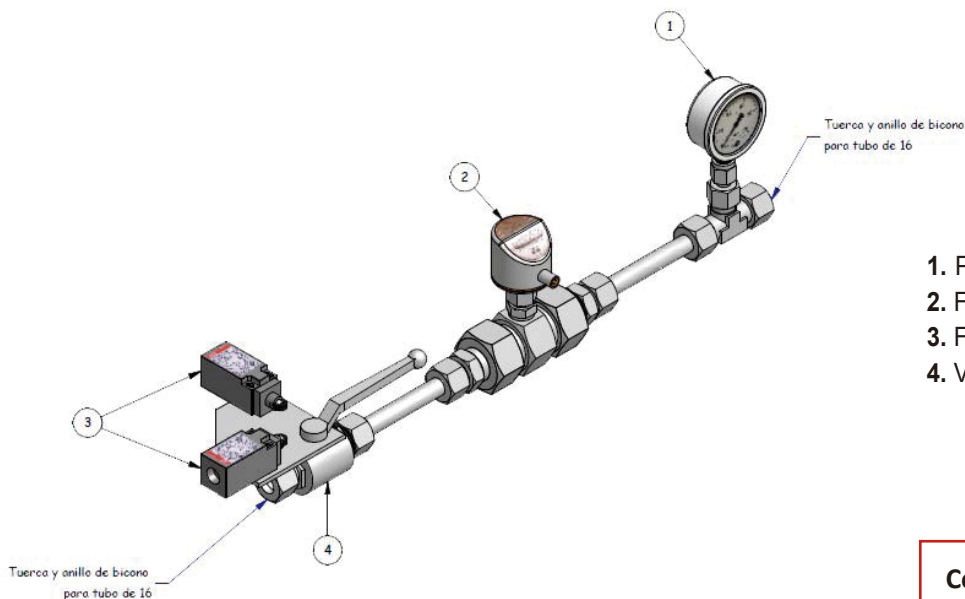
Equipment designed to be installed in those cases where it is required to have a cut point with position control, pressure indication and Alarm signaling in case of programmable minimum flow. It is composed of an input and an outlet with a nut and tube bike ring of 16, a manual locking valve, an open dev sheet stroke and a closed valve stroke end. It also has a flow detector (precise from a 24VDC power outlet) and a glycerin manometer with a range of 0 to 250 bar.



## Dimensions



## Components



1. Pressure gauge AN-M63B250 (1 ud)
2. Flow detector AN-DF (1 ud)
3. Final of the race AN-VC16L30 (2 ud)
4. Valve for 16 tube AN-VCS16 (1 ud)

### Consumption

Maximum current: 250 mA