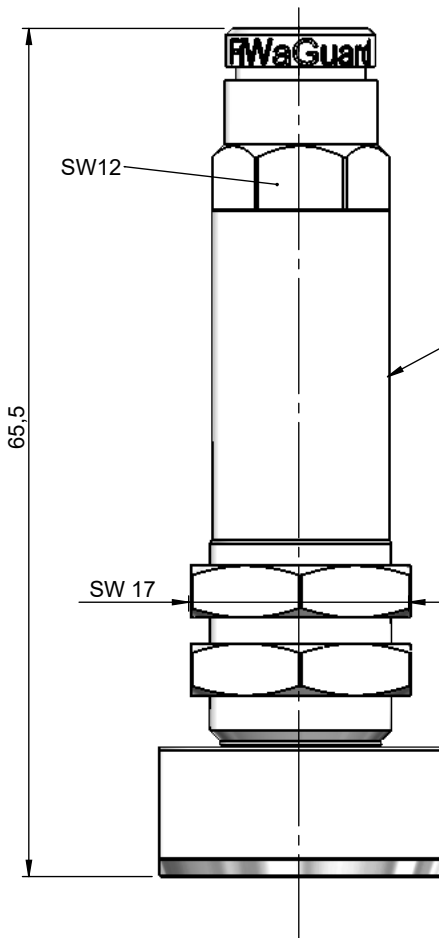
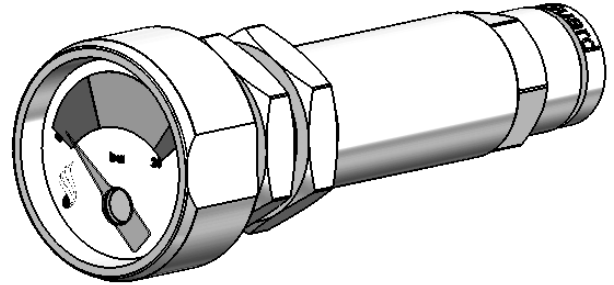




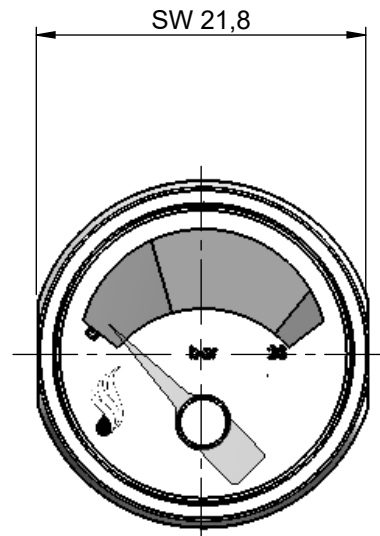
END OF LINE WITH PRESSURE GAUGE


AEX/ADTFLM



Marked:

N° Article: F0040001
 Maker: FiWaRec
 Manufacturing date: YYYY-WW



Material: Brass Nickel-plated					UNLESS OTHERWISE SPECIFIED: DIMENSIONS ARE IN MILLIMETERS	
General tolerances according to DIN ISO 2768-1 m						
Shape and position tolerances according to DIN ISO 2768-2 H						
All edges and radii not measured: R0.2						
Index	Modification	Description of the modification	Name	Date	Description: End of line with pressure gauge	
a	10012	Index adjustment in drawing assembly	Ch. Müller	06/04/10		
b	11006	Index adjustment in drawing assembly	ML	17.01.11		
c	11046	Index adjustment in drawing assembly	ML	28.06.11		
d	12017	Index adjustment in drawing assembly	ML	31.01.13		
		Industriepark Region Trier Europa-Allee 12 54343 Föhren Deutschland +49 (0)6502 93 95 12 0	Datum: 02.06.2009		Code: AEX/ADTFLM	Index d
			Name: Ch. Müller			
		Gepr.:				