

ELECTRONIC HEAT DETECTOR TMP2



CESI 03 ATEX 042



0068-CPR-009/2014

FEATURES

- Interactive
- To be used in industrial hazardous areas
- Protective PCB coating
- Short circuit isolator
- Conforms to EMC directive
- Immune to electromagnetic disturbance
- High reliability due to Self-diagnosis procedure
- Programmable LED for status indication
- Two wires technology
- Low power consumption
- Temperature set-point levels from **-20°C up to 120°C**.
- Configurable classes A1, A2, B, C, D, E
- Different output configurations. Static and/or Rate of Rise
- Proven technology
- Not influenced by dust, humidity, exhaust gases.
- EN54-5 CPR Certified
- Tested with internat climatic tunnel on production line
- shock and vibration resistant

APPLICATIONS

- Commercial and Industrial plants
- Suitable for use in hazardous atmospheres Zone 1 and Zone 2
- suitable in dangerous environmental conditions such as in presence of corrosive elements or condensing steams
- Refineries and Hazard material stores
- Extraction ducts
- Boiler rooms
- Workshops
- Refrigeration rooms
- Designed to be used with all conventional fire detection Systems
- **Certificate ATEX II 2G Ex d IIC T6**
- **Certificate EN54-5 CPR**

TECHNICAL SPECIFICATIONS

Sensor	Semi-conductor
Temperature Range	-20°C to +120°C
Code of Protection	ATEX II 2G Ex d IIC T6
Protection Degree	IP65 (Probe IP67)
Location	Hazardous area
Short-term repeatability	±2% FSD 60 min.
Long-term repeatability	±3% FSD 3 months.
Accuracy (linearity)	±1% FSD

Environmental Specifications

EMC	According EN61000-4
Storage temperature	-40 to 85 °C
Operating temperature	-20 to 120 °C
Humidity range	90% R.H. n.c.

Electrical Specifications

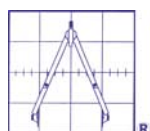
Supply Voltage	10-30 Vdc
Supply current	about 20/30 uA in normal conditions > 20 mA in alarm cond.
Supply fuse	50 mA
Connection	2 conductors cable

Mechanical Specifications

Overall dimensions	170x100x70 mm
Weight	150 g.
Mounting	2x6 mm holes
Termination EEx-d	Cable Holder
Probe attachment	1/2" Conical thread UNI6125
Junction box attachment	1/2" Conical thread UNI6125

"TMP2-Config": NEW diagnostic and configuration software for:





- Monitoring of sensors and detector functions
- Alarm Temperature Levels setting
- **Temperature Class setting according to EN54-5**
- Static or Rate of Rise functionality setting
- LED functioning mode setting
- Alarm Status setting (Latched or Reflex)
- Service time counter
- Number of events counter
- General information: sensor status, reset, power ON and power OFF

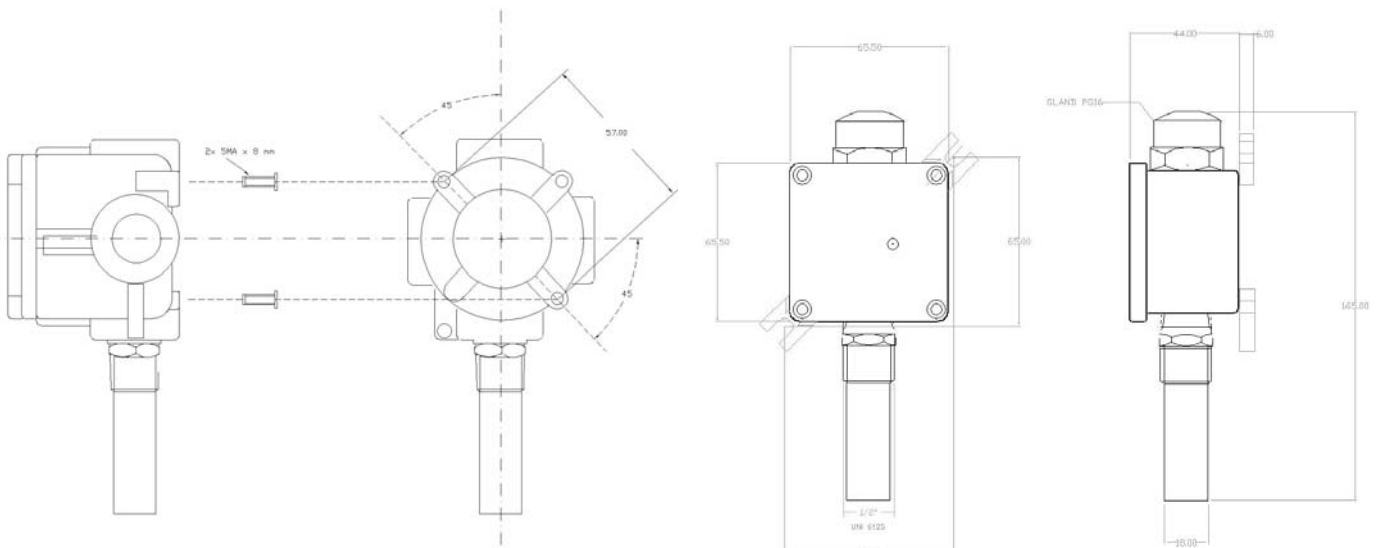


Copyright OGGIONI sas

OGGIONI s.a.s. Via Laboratori Autobianchi, 1 - P.T.B. Edif.13/O - 20832 Desio (MB) - Italy
Tel.+390362 629135 Fax +390362 622531 www.oggonisas.com - e-mail: info@oggonisas.com

CONFIGURATIONS

Model	Box Type	Temperature Class	Mode	Led Status	Alarm config.
TMP2		<ul style="list-style-type: none"> — A1 = Static alarm 54-65°C — A2 = Static alarm 54-70°C — B = Static alarm 69-85°C — C = Static alarm 84-100°C — D = Static alarm 99-115°C — E = Static alarm 114-130°C 	<ul style="list-style-type: none"> — R = Static & Rate of Rise — S = Static 		<ul style="list-style-type: none"> — M = Manual Reset — A = Auto Reset
<ul style="list-style-type: none"> J = Atex 1 way 1/2" connection box T = Atex 2 ways T 1/2" connection box JO = Atex 1 way connection box with glass TO = Atex 2 ways T connection box with glass D = Aluminium housing IP65 P = Only probe without housing 				<ul style="list-style-type: none"> — 1 = OFF in normal condition ON in Alarm condition — 2 = PULSE in normal condition OFF in Fault condition ON in Alarm condition 	
Example of J or T box	Example of JO or TO box	Example of D box	Example of P (Probe)		
					
<p><u>Example of product code creation:</u> Heat detector ATEX certified Tbox with glass, Temp. class C with alarm intervention at 90°C static with pulse LED and Auto Reset alarm: Code: TMP2-TO-C90S2A Heat detector Dust box, Temp. class A2 with alarm intervention at 57°C Rate of Rise with OFF LED in normal condition and Auto Reset alarm: Code: TMP2-D-A257R1A</p>					



Distributed by:

Copyright OGGIONI sas

OGGIONI s.a.s. reserves the right to change published specifications and designs without prior notice.



OGGIONI s.a.s. Via Lavoratori Autobianchi, 1 - P.T.B. Edif.13/O - 20832 Desio (MB) - Italy
 Tel.+39 0362 629135 Fax +39 0362 622531 - www.oggionisas.com - e-mail: info@oggionisas.com