

Central unit for 200 sensors

AE/GI-CE700 y AE/GI-CE700R



Description

The microprocessor central unit is arranged to operate matched with remote units type CE 380UR which manage 8 sensors each. Central units can be connected to max. 23 remote units for 184 sensors all together. CE700 central units are available in both wall and rack versions.

- Compatible to sensors Series TS for toxic, inflammable gases and oxygen, also simultaneously
- Connection to printer (by multiseriial card)
- "Self-driving" programming
- Backlit display 2 rows x 40 characters
- 999-event memory



Technical Characteristics

Power Supply: 230 Vac (-15/+10%) - 50 Hz (±10%)

Minimum power at 230V: 10VA

Serial Ports: No 1 RS485 and No 1 RS232

Maximum power from power supply: 2,5 A to 24Vcc

Working temperature with battery +5 ÷ +40 °C

Pb Buffer battery (on request) * : No 1 12 Vdc - 7 Ah

Battery Life: About 6 hours' full charge

Display: 40 characters on two lines back lighted LCD

Keyboard: 20 membrane keys

Dimensions: AE/GI-CE700 365x305x105 mm
AE/GI-CE700R Rack 19" 3U

Weight: AE/GI-CE700 2.5 Kg

AE/GI-CE700R 3Kg

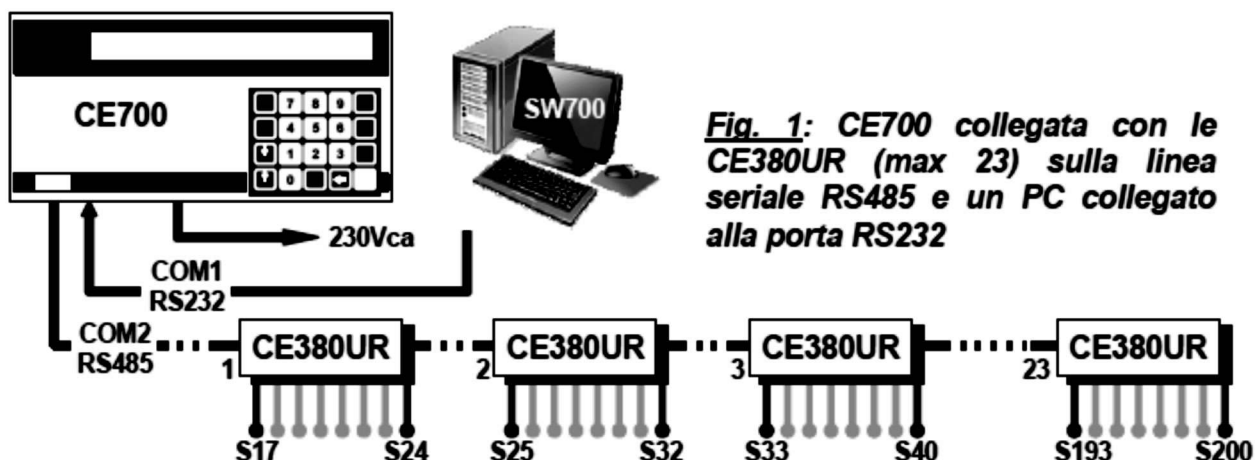
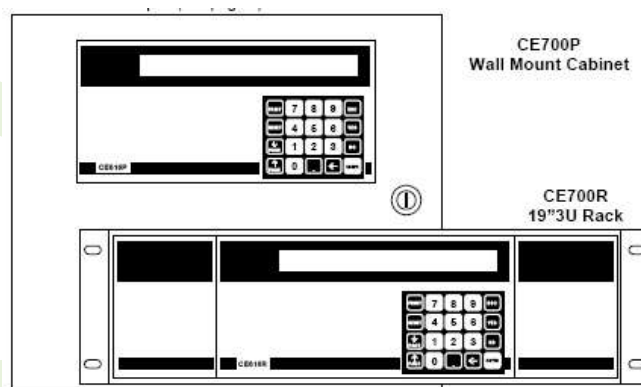


Fig. 1: CE700 collegata con le CE380UR (max 23) sulla linea seriale RS485 e un PC collegato alla porta RS232

AE/GI-CE700 y AE/GI-CE700R

Central unit for 200 sensors AE/GI-CE700 y AE/GI-CE700R

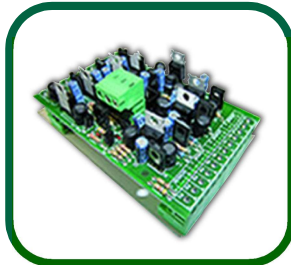


Remote units for 8 sensors AE/GI-CE380UR

Peripheral unit to be connected to AE/GI-CE700, equipped with 8 inputs for transmitters with 4-20mA signal.

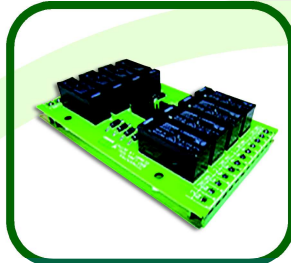
The unit is equipped with:

- case
- 8-input card
- Feed card - Communication card RS485
- Arranged for battery 12V.3Ah



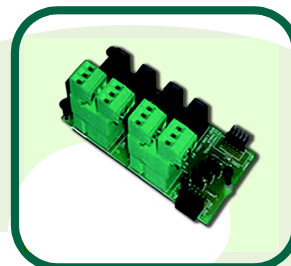
Expansion board for 8 inputs AE/GI-ES096

Expansion board for 8 inputs sensor for AE/GI-CE700 and AE/GI-CE700R central units. Max. 2 boards can be installed for each central with a total of 16 inputs.



Expansion board for 8 outputs AE/GI-ES097

Expansion board for 8 outputs relays for AE/GI-CE700 and AE/GI-CE700R central units. Max. 2 boards can be installed for each central with a total of 16 outputs.



Expansion board for 8 outputs relays

Expansion board for 8 outputs relays for CE700P and CE700R central units. Max. 2 boards can be installed for each central with a total of 16 outputs.

AE/GI-ES380UR



Remote control AE/GI-700UR

Remote control panel with display that can be connected to the central units CE700P and CE700R.

Strong case made in self-extinguishing ABS that allows to visualize the status of the central and make any operation as the central unit.

- Suitable for external installation, rating IP65
- Electronic parts completely tropicalized to prevent any formation of dew.
- Connection to the central through BUS485
- Max. connection distance 1.000 metri
- Membrane keyboard
- High contrast display, LCD
- Backlit display 2 rows x 40 characters

AE/GI-CE700 y AE/GI-CE700R