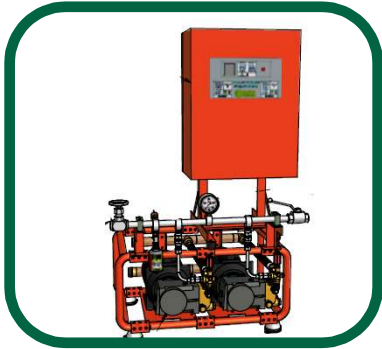


Datasheet

Pumping equipment for up to 3 main pumps (dry tubes)

**AN/GAS1-12; AN/GAS1-25; AN/GAS2-25; AN/GAS1-40;
AN/GAS2-40; AN/GAS3-40**



Description

Pumping equipment consisting of volumetric type electro pumps of ceramic piston of 40 L/min flow volume, pressure of 140 bar and a three-phase electric engine of 230/400V and 15 HP (11.04 KW). The electric control cabinet that regulates the functioning of the equipment is designed according to the UNE 23500 norm and allows the emission of remote alarms. The equipment consists of a pump controlled by a frequency variator and the other through a soft starter. It is delivered assembled over a universal workbench, regulated according to the work pressure, depending on the project and has been verified its correct functioning.

Equipping

The pumping equipment is delivered with:

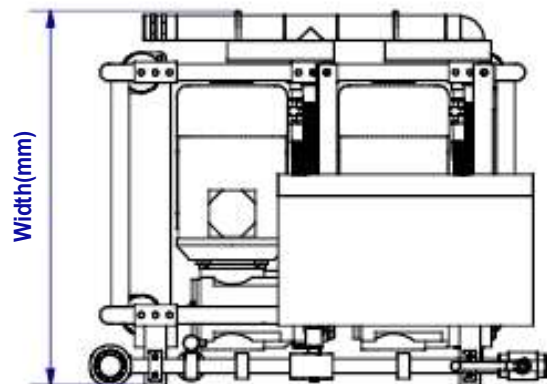
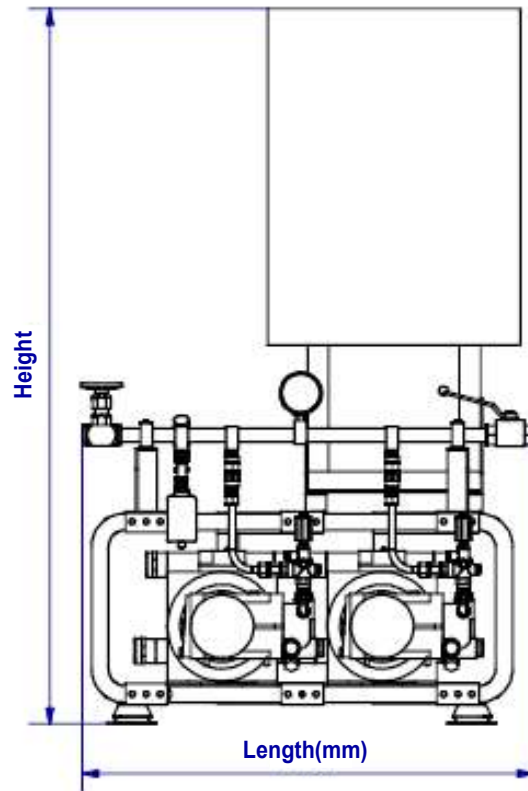
- Flexible high-pressure hose for the pumping, of 1" and 600 mm in length. Swivel connection, female thread size BSP 1".
- Flexible high-pressure hose for the tests, of 1" and 600 mm in length. Swivel connection, female thread size BSP 1".
- Hose of aspiration at low pressure for the aspiration of 2" and 600 mm in length. Connection male thread size BSP 2".
- Return hose of low pressure, of 2" and 600 mm in length. Male connection thread size BSP 2".

Dimensions

Reference	Length(mm)	Width(mm)	Height H (mm)
AN/GAS1-12	790	950	1380
AN/GAS1-25	790	900	1380
AN/GAS2-25	1100	900	1750
AN/GAS1-40	790	900	1380
AN/GAS2-40	1100	900	1750
AN/GAS3-40	1500	900	1750

Dimensions may vary by according to amount of directional valves and compressor of installation.

Dimensions

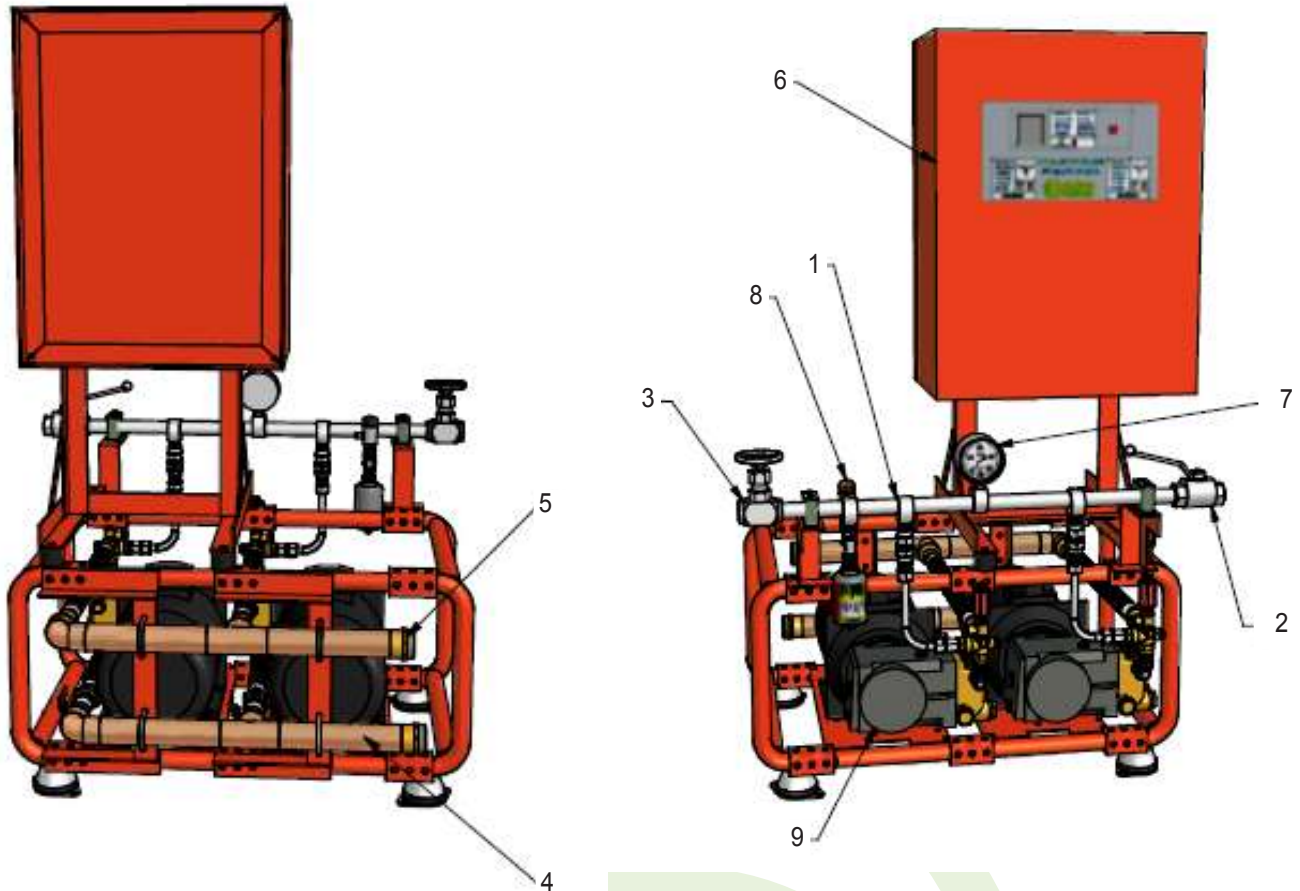


Datasheet

Pumping equipment for up to 3 main pumps (dry tubes)

AN/GAS1-12; AN/GAS1-25; AN/GAS2-25; AN/GAS1-40;
AN/GAS2-40; AN/GAS3-40

Elements



Elements	
Nº Id	Description
1	1" Upstream manifold
2	1" Return valve
3	Test valve female 1"
4	Aspiration feeding pump 2"
5	Return Manifold 2"
6	Electrical Control Panel
7	250 Manometer
8	Pressure regulator
9	Pump 40 Lxmins, 1500 rpm 11 KW.