

Pump Group formed by more of 3 pumps units Wet Water Mist System

Description



Pump Group formed by Ceramic Pistons Volumetric type electric pumps with a flow capacity of 40L/min, water pressure 140 bar, electric engine Three-phase 380/660V and 15 C.V (11.04 Hw) each one, plus and additional stainless steel centrifugal pump with a flow capacity of 24 m³/h and 2 CV power, with enough power capacity up to 10 pumps. The feeding pressure it is guarantee by a 4 bar pump.

The pump group also includes a jockey pump with a 2.6l/min that regulates the pressure pipeline between 30 –40 bars, with a three phase electric engine of 380V and 1.5 Cv.

The electrical control panel manage the correct functioning of the pumps is manufactured according to the European Standard Norm 23.500 and allow to provide alarms remotely. The equipment is formed main/ principal pump managed by a frequency regulator unit and rest of pumps managed by progressive starters.

The group is supplied mounted on universal bench structure, regulated and tested according the pressure requested in the design of each project for its correct functioning.

Consumption Data Information

Reference	Flow (l/min)	Total CV engine	Total KW engine	Long (mm)	Wide (mm)	Height (mm)
AN/GAH3-40	120	46,5	35	1950	1400	1860
AN/GAH4-40	160	63,5	47	1950	1400	1860
AN/GAH5-40	200	78,5	58	1950	1400	2020
AN/GAH6-40	240	93,5	69	1950	1400	2020
AN/GAH7-40	280	108,5	80	1950	1400	2020
AN/GAH8-40	320	123,5	91	1950	1400	2020
AN/GAH9-40	360	138,5	102	1950	1400	2280
AN/GAH10-40	400	153,5	113	1950	1400	2280

Equipment

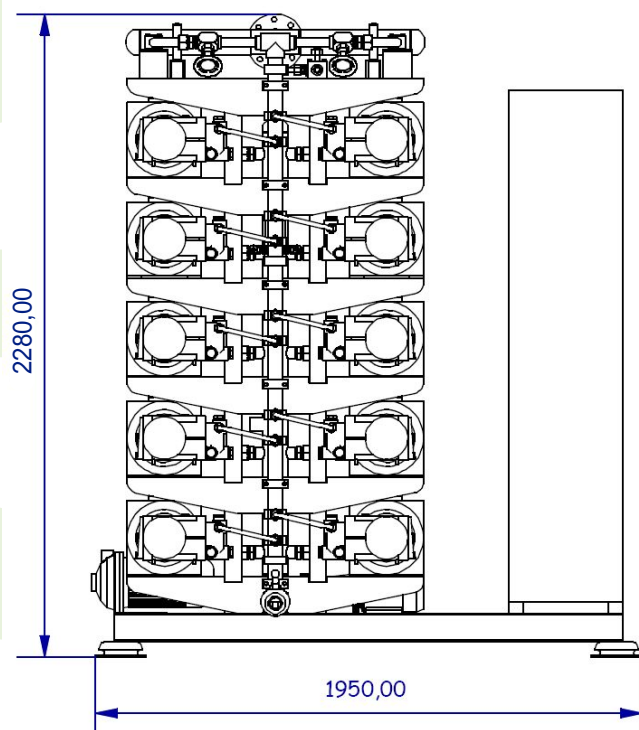
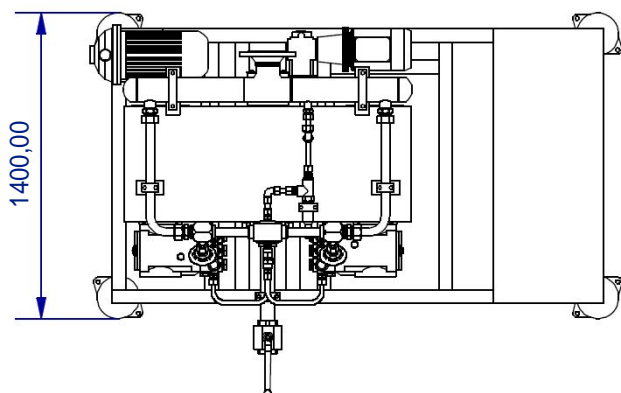
The Water Mist pump is supplied with:

- High pressure flexible hose for the upstream pump, 1 ½" diameter and 600 mm long. Female Connection BSP 1 ½" threaded.

- Low pressure aspiration hoses 2" diameter and 600 mm long. Male BSP 2" Threaded Connection.

Return flanged manifold to the water tank 2" diameter according to DIN 2632/33.

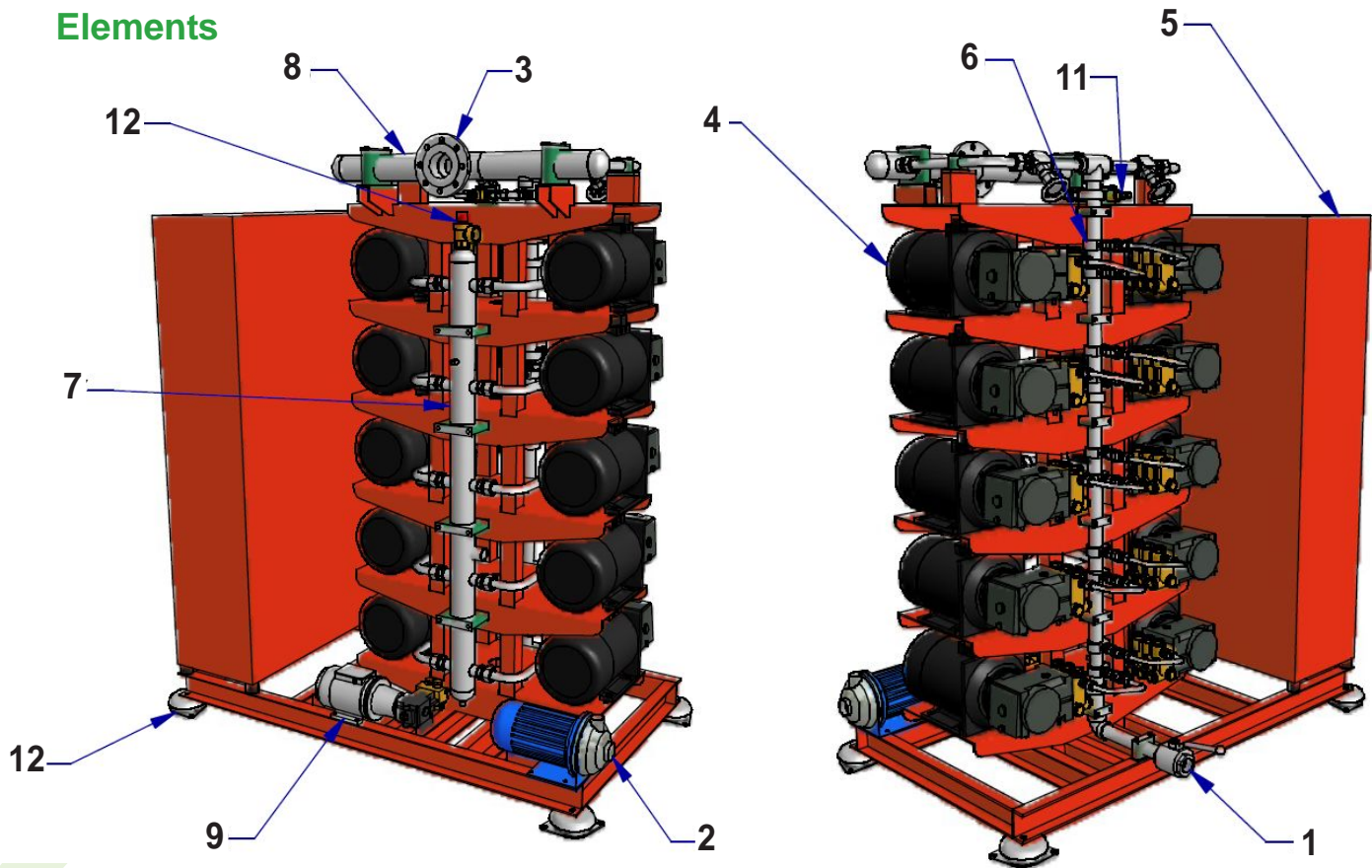
Dimensions



Pump Group formed by more of 3 pumps units

Wet Water Mist System

Elements



Nº Id	Description
1	½" Upstream Valve, with optional indicator position
2	Aspiration feeding pump 2" female
3	Return Flanged Manifold according to DIN 2632/33
4	Pump 40 Lxmins, 1500 rpm 11 KW.
5	Electrical Control Panel
6	Upstream manifold 1 ½".
7	Aspiration Manifold 3", Manometer & Preassure Switch.
8	Return Manifold 3"
9	Jockey pump for wet water mist system.
10	Low Preassure Security Valve.
11	High preassure security valve.
12	Antivibration Silent Block