

Pump Group formed by more of 3 pumps units Wet Water Mist System

Description



Pump Group formed by Ceramic Pistons Volumetric type electric pumps with a flow capacity of 40L/min, water pressure 140 bar, electric engine Tree-phase 380/660V and 15 C.V (11.04 Hw) each one, plus and additional stainless steel centrifugal pump with a flow capacity of 24 m3/h and 2 CV power, with enough power capacity up to 10 pumps. The feeding pressure it is guarantee by a 4 bar pump.

The pump group also includes a jockey pump with a 2.6l/min that regulates the pressure pipeline between 30 –40 bars, with a three phase electric engine of 380V and 1.5 Cv.

The electrical control panel manage the correct functioning of the pumps is manufactured according to the European Standard Norm 23.500 and allow to provide alarms remotely. The equipment is formed main/ principal pump managed by a frequency regulator unit and rest of pumps managed by progressive starters.

The group is supplied mounted on universal bench structure, regulated and tested according the pressure requested in the design of each project for its correct functioning.

Consumption Data Information

| Reference | Flow (l/min) | Total CV engine | Total KW engine | Long (mm) | Wide (mm) | Height (mm) |
|-------------|--------------|-----------------|-----------------|-----------|-----------|-------------|
| AN/GAH3-40 | 120 | 46,5 | 35 | 1950 | 1400 | 1860 |
| AN/GAH4-40 | 160 | 63,5 | 47 | 1950 | 1400 | 1860 |
| AN/GAH5-40 | 200 | 78,5 | 58 | 1950 | 1400 | 2020 |
| AN/GAH6-40 | 240 | 93,5 | 69 | 1950 | 1400 | 2020 |
| AN/GAH7-40 | 280 | 108,5 | 80 | 1950 | 1400 | 2020 |
| AN/GAH8-40 | 320 | 123,5 | 91 | 1950 | 1400 | 2020 |
| AN/GAH9-40 | 360 | 138,5 | 102 | 1950 | 1400 | 2280 |
| AN/GAH10-40 | 400 | 153,5 | 113 | 1950 | 1400 | 2280 |

Equipment

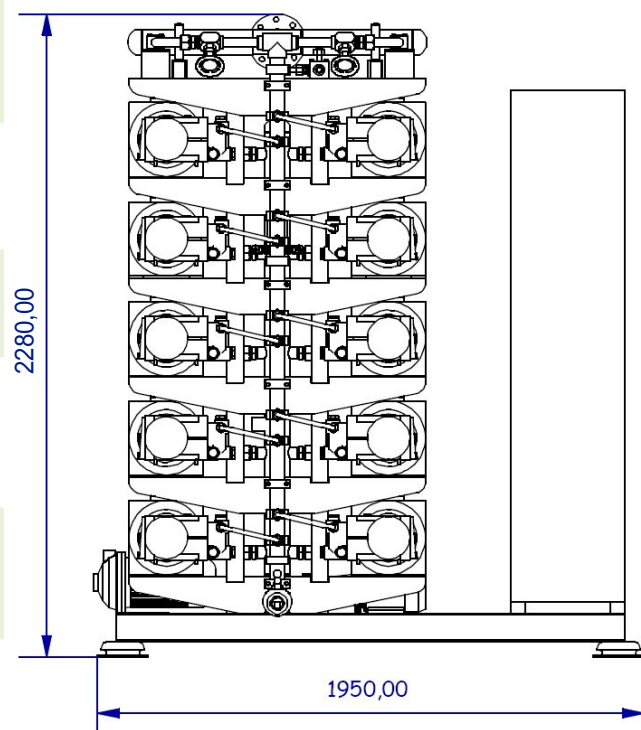
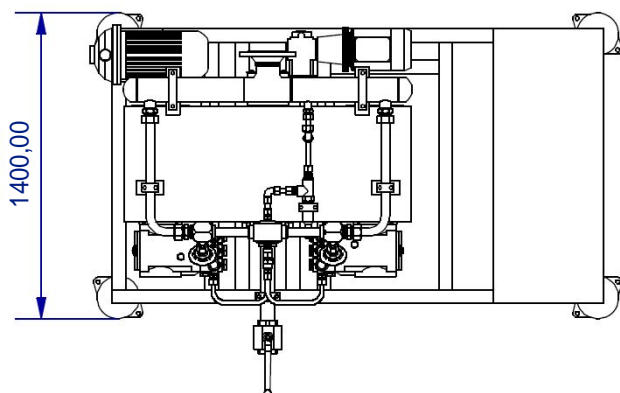
The Water Mist pump is supplied with:

- High pressure flexible hose for the upstream pump, 1 ½" diameter and 600 mm long. Female Connection BSP 1 ½" threaded.

- Low pressure aspiration hoses 2" diameter and 600 mm long. Male BSP 2" Threaded Connection.

Return flanged manifold to the water tank 2" diameter according to DIN 2632/33.

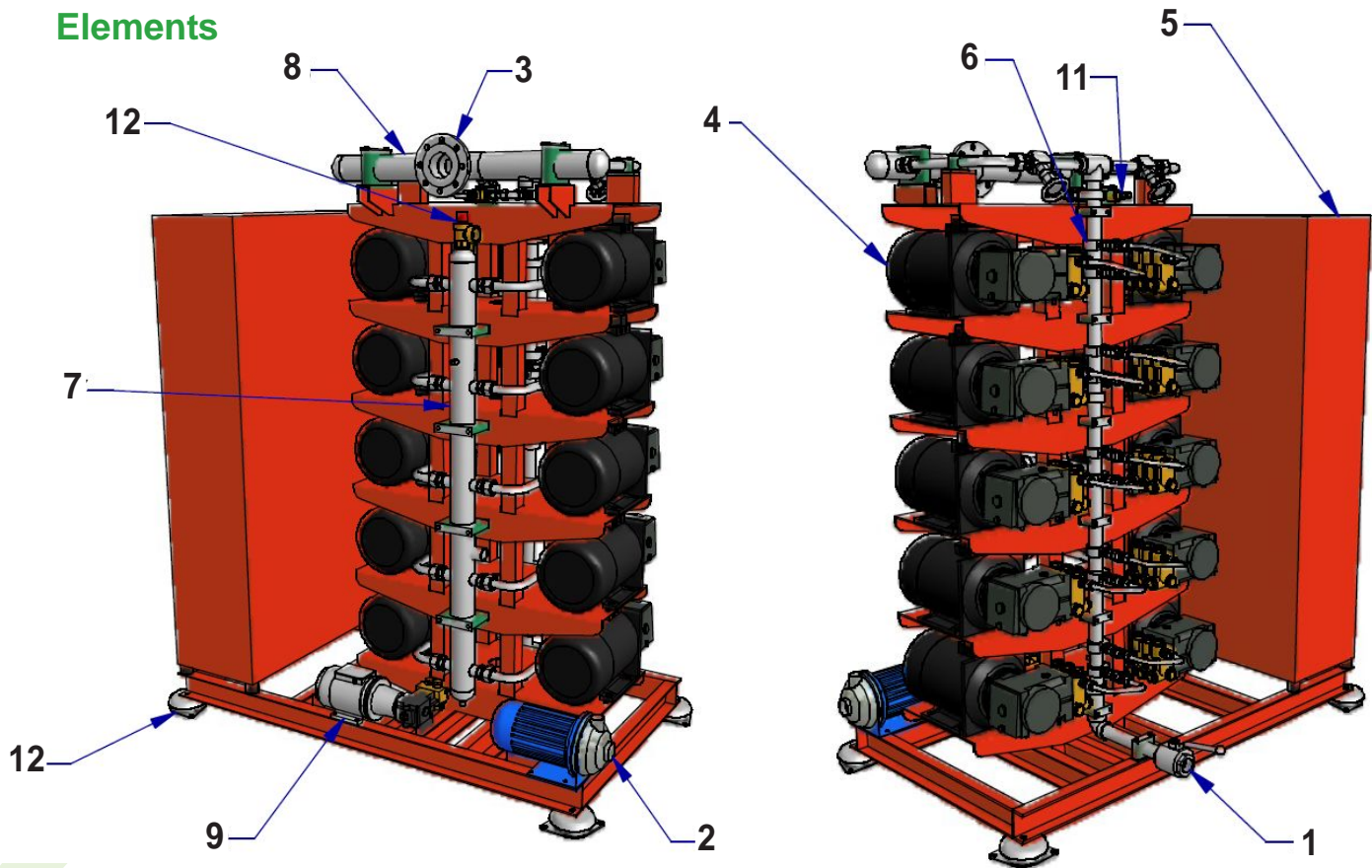
Dimensions



Pump Group formed by more of 3 pumps units

Wet Water Mist System

Elements



| Nº Id | Description |
|-------|--|
| 1 | ½" Upstream Valve, with optional indicator position |
| 2 | Aspiration feeding pump 2" female |
| 3 | Return Flanged Manifold according to DIN 2632/33 |
| 4 | Pump 40 Lxmins, 1500 rpm 11 KW. |
| 5 | Electrical Control Panel |
| 6 | Upstream manifold 1 ½". |
| 7 | Aspiration Manifold 3", Manometer & Preasure Switch. |
| 8 | Return Manifold 3" |
| 9 | Jockey pump for wet water mist system. |
| 10 | Low Preasure Security Valve. |
| 11 | High preasure security valve. |
| 12 | Antivibration Silent Block |