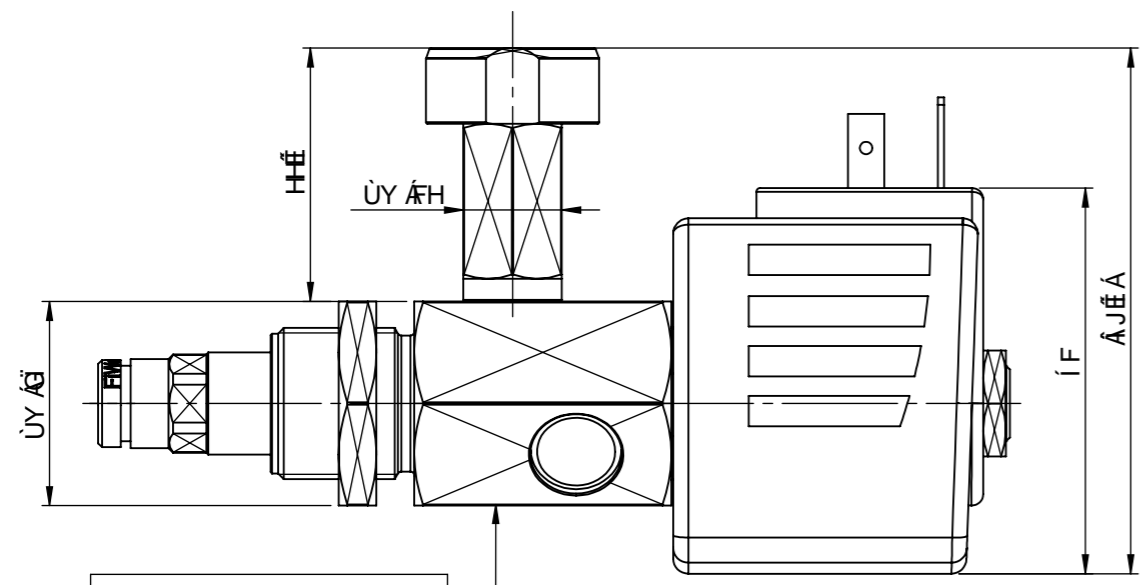
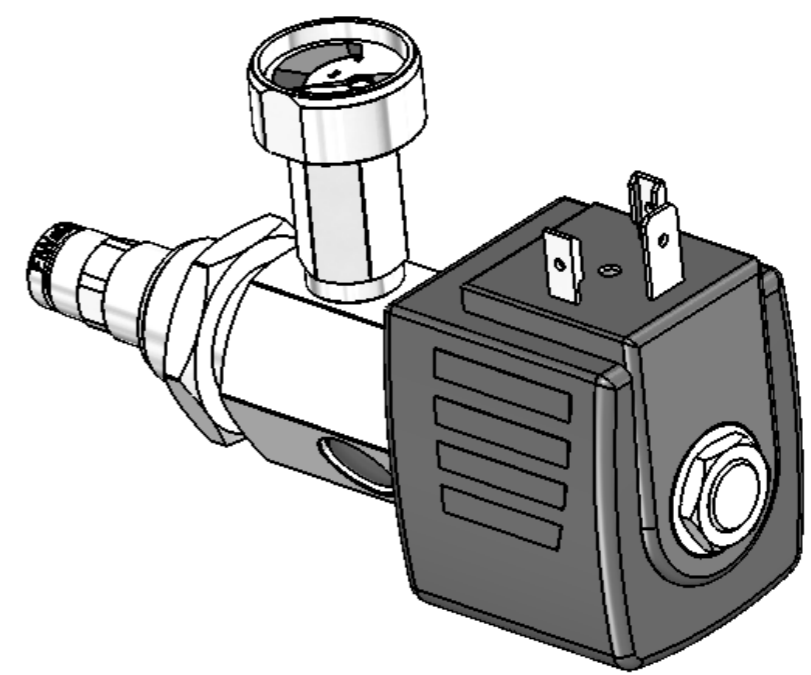
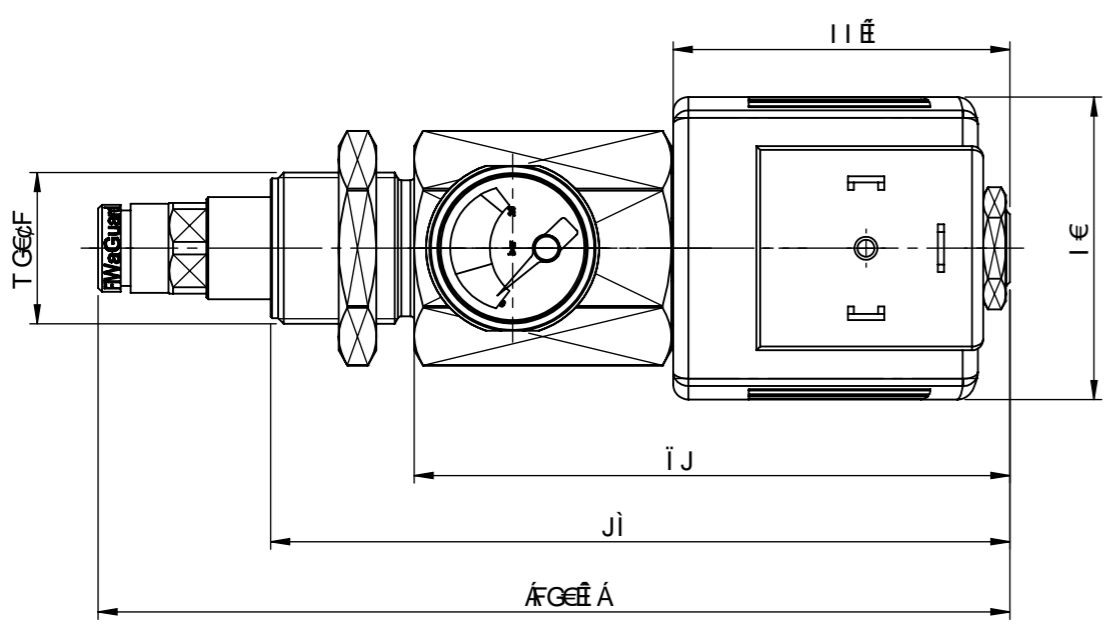
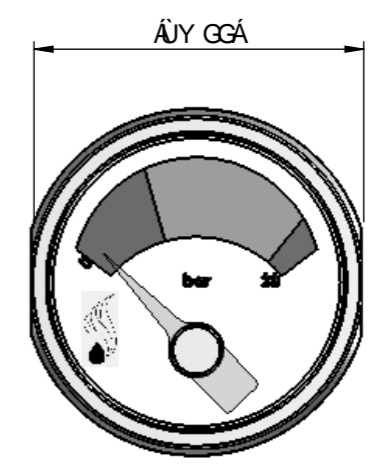
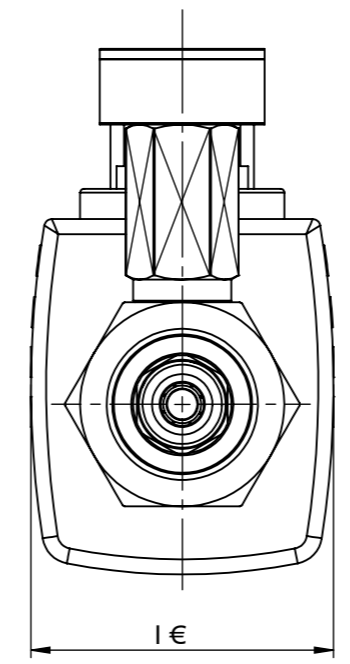


: %/0/\$\$\$\$



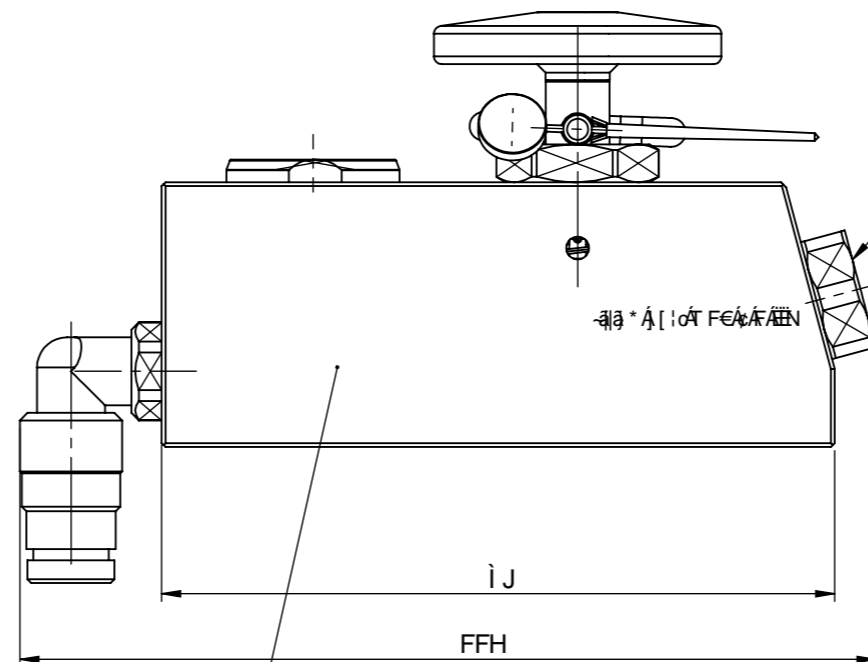
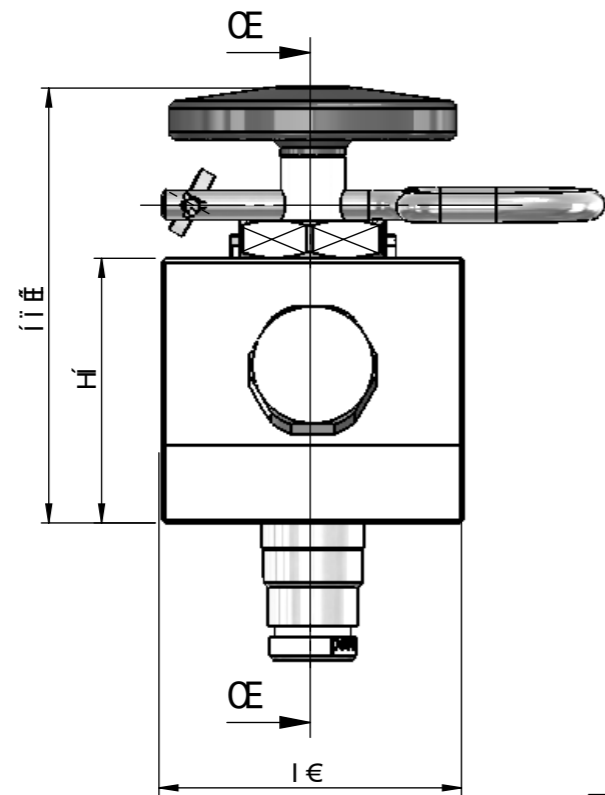
Á ælã \*K  
 Á ælã \*K  
 Á ælã \*K  
 Á ælã \*K  
 Á ælã \*K



5" [ Ya Y]brc YfUbnYb bUW 8-B -GC &+, 1%a	Hc YfUbnYb ZOf: cfa i bX@U[Y bUW 8-B -GC &+, 1&<	5" Yi bVYa Uo Yb? UbYb i bX FUXYb. F S&	Yk Mh WU" ' &[	I B@9GG CH<9F K -G9 GD97 ÷ 9B. 8-A 9BG-CBG 5F 9-B A @A 9H9F G
A UH rU:				
à FHEEG Qá^ca] æ** ) * Á [ ] çæ ^: ^æ@ * ) *	T Š	€ Ì È È È	9" Y_hfca U[ bYhgW Yf' 5i g`ÒgYf Y YWfca U[ bYhWfY YUgY	
æ FFÈ Ì Qá^ca] æ** ) * Á [ ] çæ ^: ^æ@ * ) *	T Š	€ Ì È È È		
èXYI YbXYfi b[	6YgWfYMi b[ XYfYbXYfi b[	BUa Y	8Ua a	8K : BC"
<b>FiWaRec</b> Valves & Regulators		8Ua a . \$' "%&"&\$\$- BUa Y. 7\ "A Ø Yf ; YdF.	5'	: %/0/\$\$\$\$
Z(- rSt) S&- -) %& \$		G7 5@9.%	G<99H% C : %	à

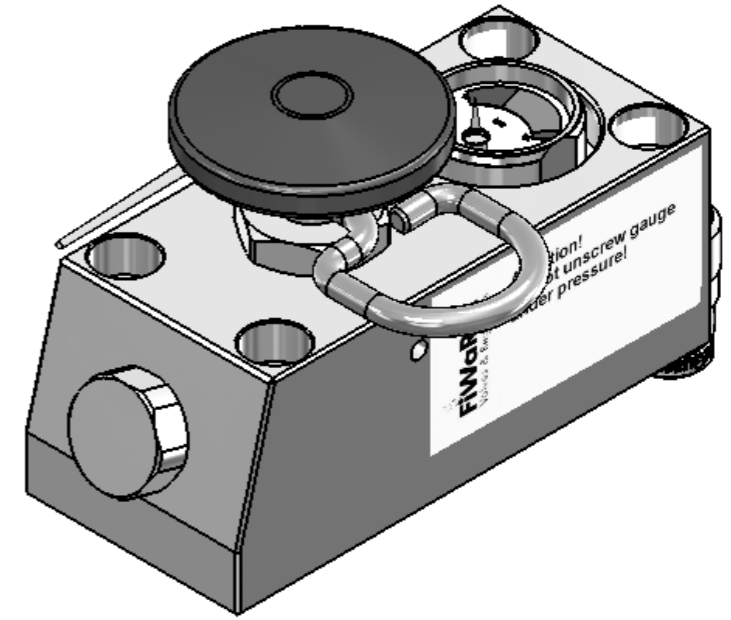
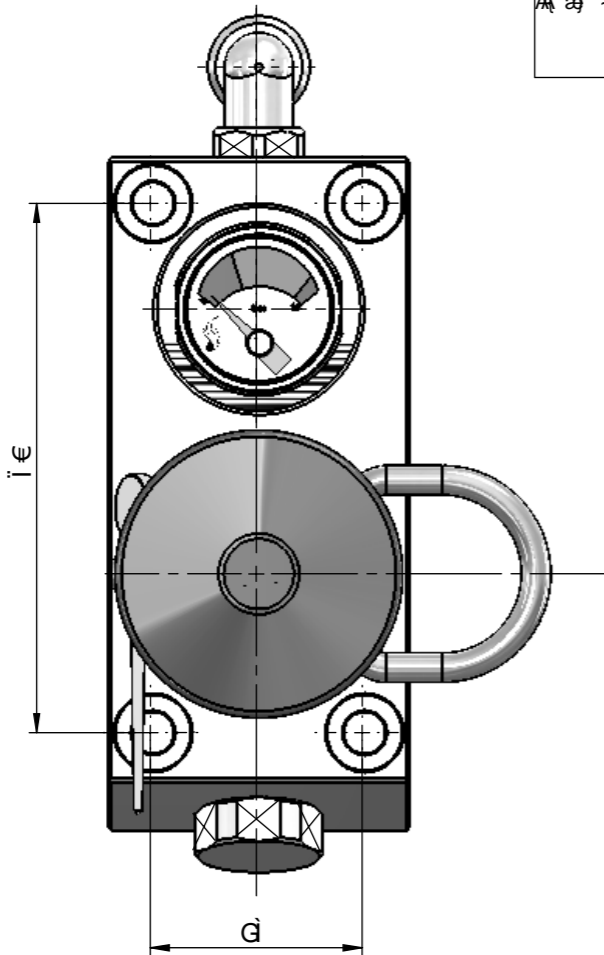


: %/\$\$\$\$'



A %\$! %fc 'VcbbYWh  
 !: ]''b[ 'UXUdhf  
 !'DfYggi fY'gk ]HW  
 !'DfYggi fY[ U[ Y'k ]h ]bH[ fUHX'gk ]HW  
 !'5`hYfbUHj Y[ U[ Y'dcg]hcb  
 !'5 Wlj Uhcb!G][ bU[ YbYfUrcf'fg][ bU[ YVYfL  
 !'9`YWfca U[ bYhWfYUgY'fk ]h 'UXUdhfL  
 !'.....

ÄT æ\ ä \*K  
 Äæcä^)\* ( ä\k.....OFFEECH  
 Ä ä -æc !ä:k.....ay ad^&  
 Äæä^Ä ä -æc !ä:k.....YYYËY  
 Ä ä -æc !ä^Ä ä\k.....[ Äæ ^D



5`[ Ya Y]brc YfUbnYb bUW 8-B -GC &+*, !%a	Hc YfUbnYb ZOf: cfa i bX@U[Y bUW 8-B -GC &+*, !&<	5`Yi bVYa Ua Yb? UbYb i bXF UY]b. F S&	Yk ]Wh	I B@9GG CH<9F K -G9 GD97 ÷9B. 8-A 9BG<CBG 5F 9-B A @A 9H9F G	
^ FGEI Qá^caj] æ** ) *Ä [ ] cæ^: ^æ@** ) *	T Š	G ĩ ĩ ĩ ĩ ĩ	A UH rU:		
à FGEI Qá^caj] æ** ) *Ä [ ] cæ^: ^æ@** ) *	T Š	FI ĩ ĩ ĩ ĩ ĩ			
& FGEFG Qá^caj] æ** ) *Ä [ ] cæ^: ^æ@** ) *	T Š	ĕ ĩ ĩ ĩ ĩ ĩ			
à FFE ĩ Qá^caj] æ** ) *Ä [ ] cæ^: ^æ@** ) *	T Š	OE ĩ ĩ ĩ ĩ ĩ	HW:		
æ FFE ĩ Qá^caj] æ** ) *Ä [ ] cæ^: ^æ@** ) *	T Š	ĕ ĩ ĩ ĩ ĩ ĩ	A i `h! UWh Urcf		
ħXYI YbXYfi b[	6YgWfY]M b[ XYfYbXYfi b[	BLa Y	8Ua	ħXYI	
ħXi ghYdUf_F Y[ ]cb HfYf 9i fcdU5`XY%& ) ( (- : QYb 8Yi hW UbX Z (- fSŁ) S&- -) %&\$		8Ua a . %&\$ ( &\$%\$ BUa Y. 7\`A Ø Yf ; Ydf.	8K : BC`	: %/\$\$\$\$'	ħXYI
		5`	G7 5@9.%%	G<99H% C : %	^